



American Hakko Products, Inc.

PRODUCT BULLETIN

Bulletin No: PB467

Issue Date: 7-11-2023

Effective Date: 8-1-2023

Description/Title:

New HAKKO FX-9706 Micro Tweezers

Part No:

FX9706-81, FX9706-011, T52-I005, T52-I015, T52-J005, T52-J015, T52-K, T52-L1, T52-L2



Comments:

The new HAKKO FX-9706 Micro Tweezers are designed for use with the new HAKKO FX-972 Dual-Port Soldering Station. The FX-9706 features a lightweight, ergonomic design ideal for working under a microscope or other magnification, such as reworking 0201 or 01005 components. The new handpiece incorporates tip adjustment mechanisms that allow the user to adjust horizontal and vertical alignment and the length and angle of the tips. The handpiece also features a slimmer cord assembly to reduce the weight felt by the user, a built-in sensor to detect when the micro tweezers are in use or should be put to sleep, and newly designed T52 Series tips with higher power output and optimized geometries to achieve peak performance of the HAKKO Composite Ceramic™ heater at its heart. The HAKKO FH-215 Holder eliminates the need to use tools or hot pads when changing tips, incorporates a built-in tip stand, and has a triple-function tip cleaning area with a cleaning wire, sponge, and tip wipe.

Specification:

Model	FX-9706
Part No.	FX9706-011
Power Consumption	140 W / 24 VAC
Temperature Range	50°C – 450°C (120°F – 850°F)
Tip to Ground Resistance	< 2 Ω
Tip to Ground Potential	< 2 mV
Heater	HAKKO Composite Ceramic™
Tips¹	T52 Series
Cord Length	1.2 m (3.9 ft)
Total Length²	130 mm (5.1 in)
Weight²	33 g (1.2 oz)

Contents

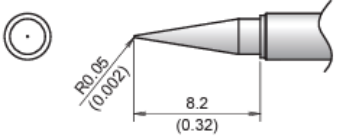
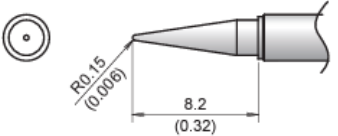
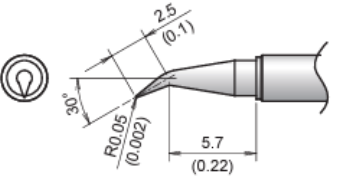
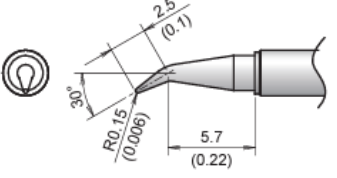
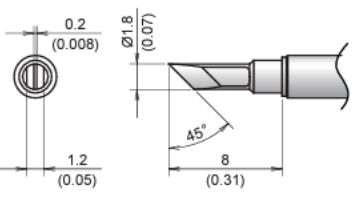
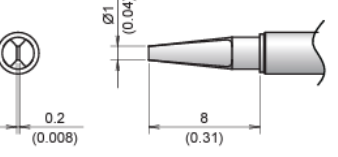
Part No.	Description
FX9706-81	FX-9706 Micro Tweezers only
FH215-014	FH-215 Holder Includes: <ul style="list-style-type: none">• A1561 Tip Cleaning Wire• A5038 Cleaning Sponge

¹ – Tips not included

² – As measured with T52-I015 Tip installed

See page 2 for T52 Series Tips

T52 Series Tips

<p>T52-I005</p> 	<p>T52-I015</p> 	<p>T52-J005</p> 
<p>T52-J015</p> 	<p>T52-K</p> 	<p>T52-L1</p> 
<p>T52-L2</p> 