



American Hakko Products, Inc.

PRODUCT BULLETIN

Bulletin No: PB466

Issue Date: 7-11-2023

Effective Date: 8-1-2023

Description/Title:

New HAKKO FX-9705 Rework Tweezers

Part No:

FX9705-81, FX9705-011, T51-C05, T51-I05, T51-L1, T51-L2, T51-L3, T51-L6, T51-L8, T51-L10, T51-L13, T51-L16, T51-LA3, T51-LA6, T51-LA8, T51-LA10



Comments:

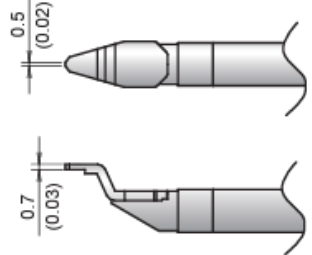
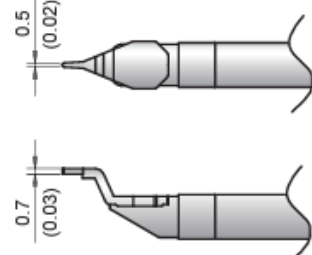
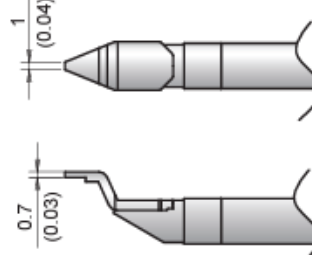
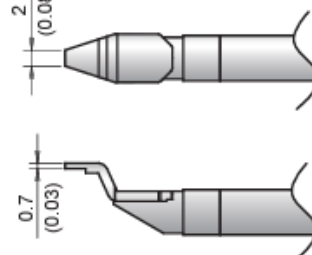
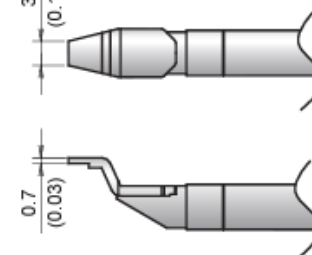
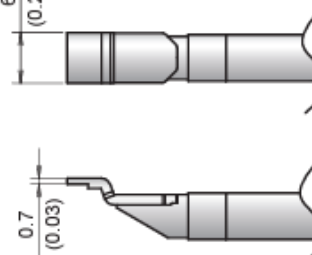
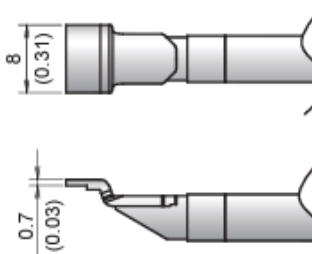
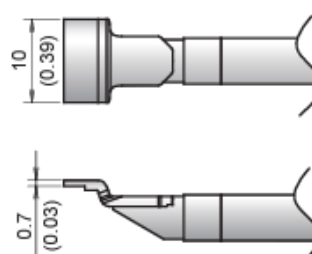
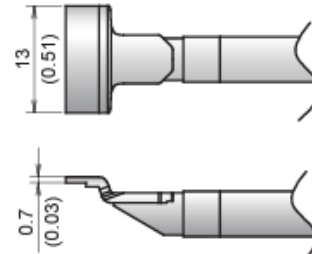
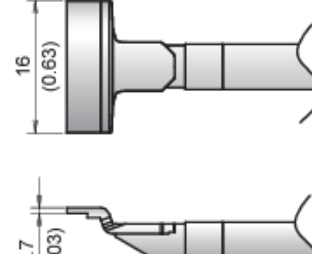
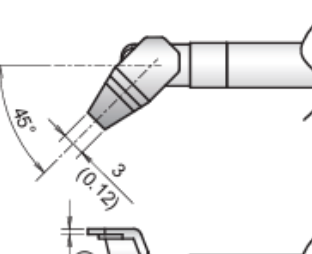
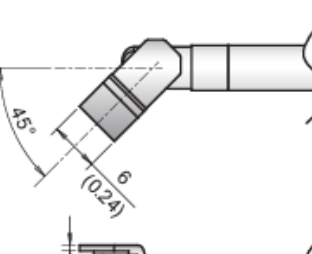
The new HAKKO FX-9705 Rework Tweezers are designed for use with the new HAKKO FX-972 Dual-Port Soldering Station. The FX-9705 features a lightweight, ergonomic design and incorporates tip adjustment mechanisms that give the user the ability to adjust the vertical alignment and length of the tips, features a slimmer cord assembly to reduce the weight felt by the user, a built-in sensor to detect when the tweezers are in use or should be put to sleep, and newly designed T51 Series tips with higher output power and optimized geometries to achieve peak performance of the HAKKO Composite Ceramic™ heater at its heart. The HAKKO FH-220 Holder eliminates the need to use tools or hot pads when changing tips, incorporates a built-in tip stand and alignment jig, and has a triple-function tip cleaning area with a cleaning wire, sponge, and tip wipe.

Specification:

Model	FX-9705	Contents	Part No.	Description
Part No.	FX9705-011		FX9705-81	FX-9705 Rework Tweezers only
Power Consumption	190 W / 24 VAC	FH220-013	FH-220 Holder	
Temperature Range	50°C – 450°C (120°F – 850°F)	Includes:		
Tip to Ground Resistance	< 2 Ω	<ul style="list-style-type: none"> • A1561 Tip Cleaning Wire • A5038 Cleaning Sponge 		
Tip to Ground Potential	< 2 mV	¹ – Tips not included ² – As measured with T51-L16 Tip installed		
Heater	HAKKO Composite Ceramic™			
Tips¹	T51 Series			
Cord Length	1.2 m (3.9 ft)			
Total Length²	146 mm (5.7 in)			
Weight²	55 g (1.9 oz)			

See pages 2 and 3 for T51 Series Tips

T51 Series Tips

<p>T51-C05</p> 	<p>T51-I05</p> 	<p>T51-L1</p> 
<p>T51-L2</p> 	<p>T51-L3</p> 	<p>T51-L6</p> 
<p>T51-L8</p> 	<p>T51-L10</p> 	<p>T51-L13</p> 
<p>T51-L16</p> 	<p>T51-LA3</p> 	<p>T51-LA6</p> 

T51 Series Tips (continued)

