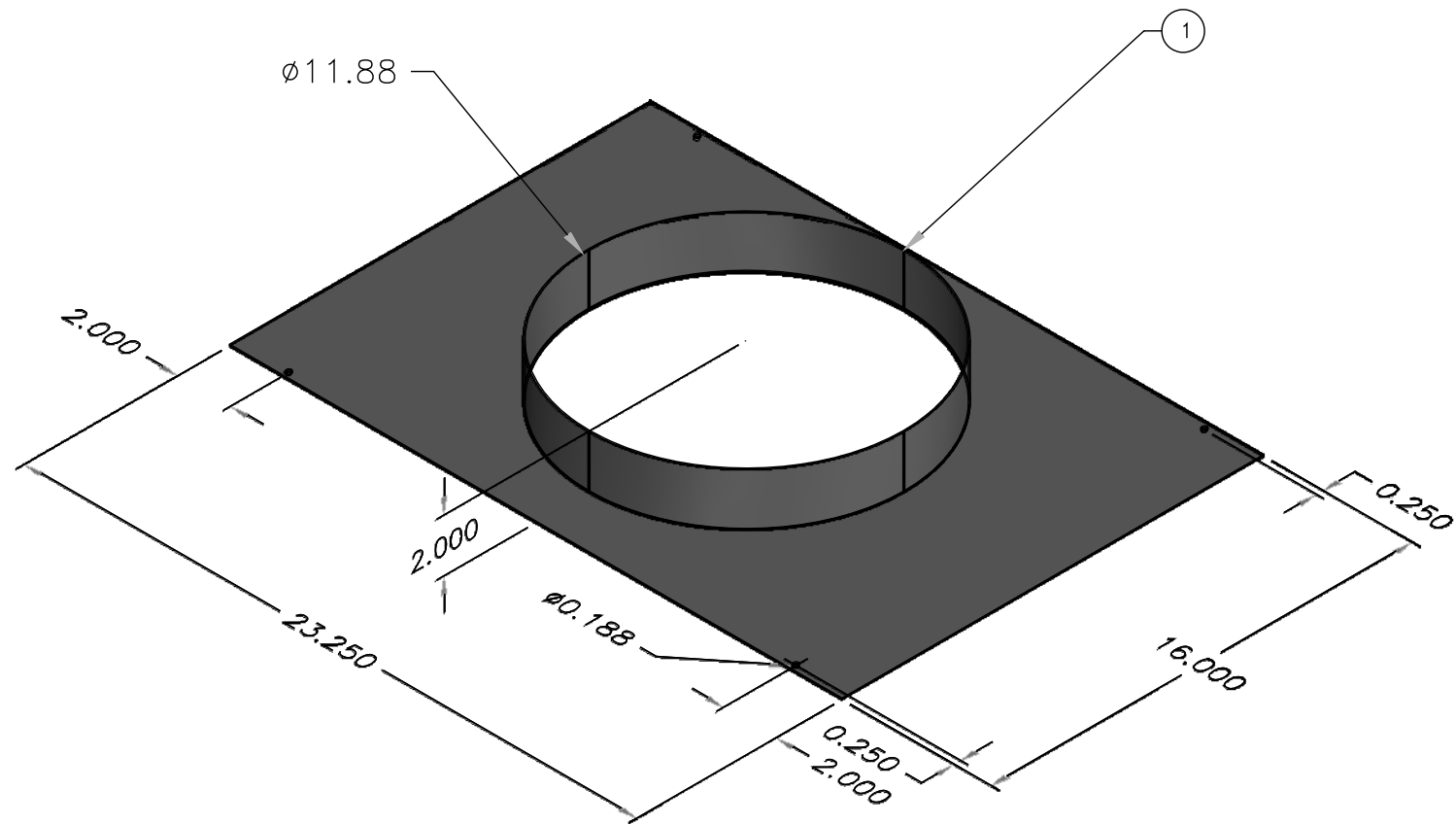



REV	ZONE	DESCRIPTION OF CHANGE	BY	DATE
A	-	PRODUCTION RELEASE	MAK	7/7/05
B		REMOVED ITEM 2;PCN-17197	MAK	2/16/06



1	1	12" AC COLLAR WELDMENT	37389	STK		
ITEM	QTY	DESCRIPTION	PART NO	DEPT		
TOLERANCES UNLESS OTHERWISE SPECIFIED		 6701 JEFFERSON N.E. ALBUQUERQUE, NM 87109 PHONE:(505) 345-3561 FAX:(505) 345-8875				
.X	= ±0.1				ANGLE	= ±1/2°
.XX	= ±0.03				FRACTION	= ±3/16
.XXX	= ±0.015	TITLE 12" DUCT COLLAR PLATE				
DO NOT SCALE DRAWING		MATERIAL SPECIFICATION	DRAWN BY	DRAWING NUMBER		
		50186	MAK	10789		
		0.050 ALUMINUM	CHECKED BY	REV. B		
		NEXT ASSEMBLY	APPROVED BY	SCALE		
				SHEET 1 of 1		
				SIZE B		

THIS DRAWING IS A PROPERTY OF ENVIRCO CORPORATION AND MAY NOT BE USED, REPRODUCED, PUBLISHED, OR DISCLOSED TO OTHERS WITHOUT EXPRESS AUTHORIZATION BY ENVIRCO CORP.

NOTES: UNLESS OTHERWISE SPECIFIED