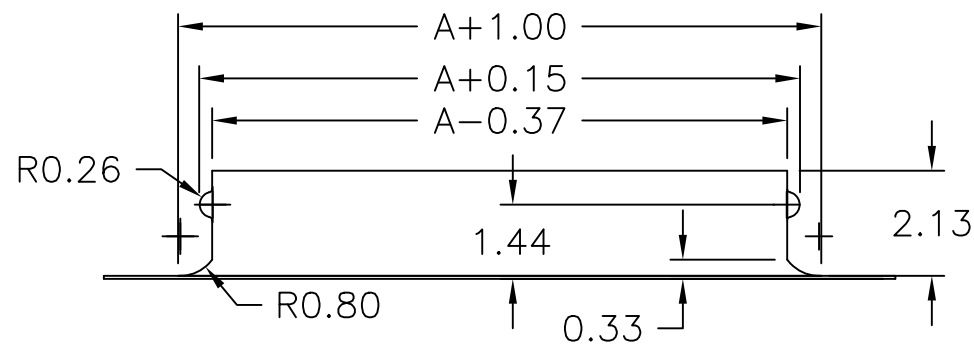
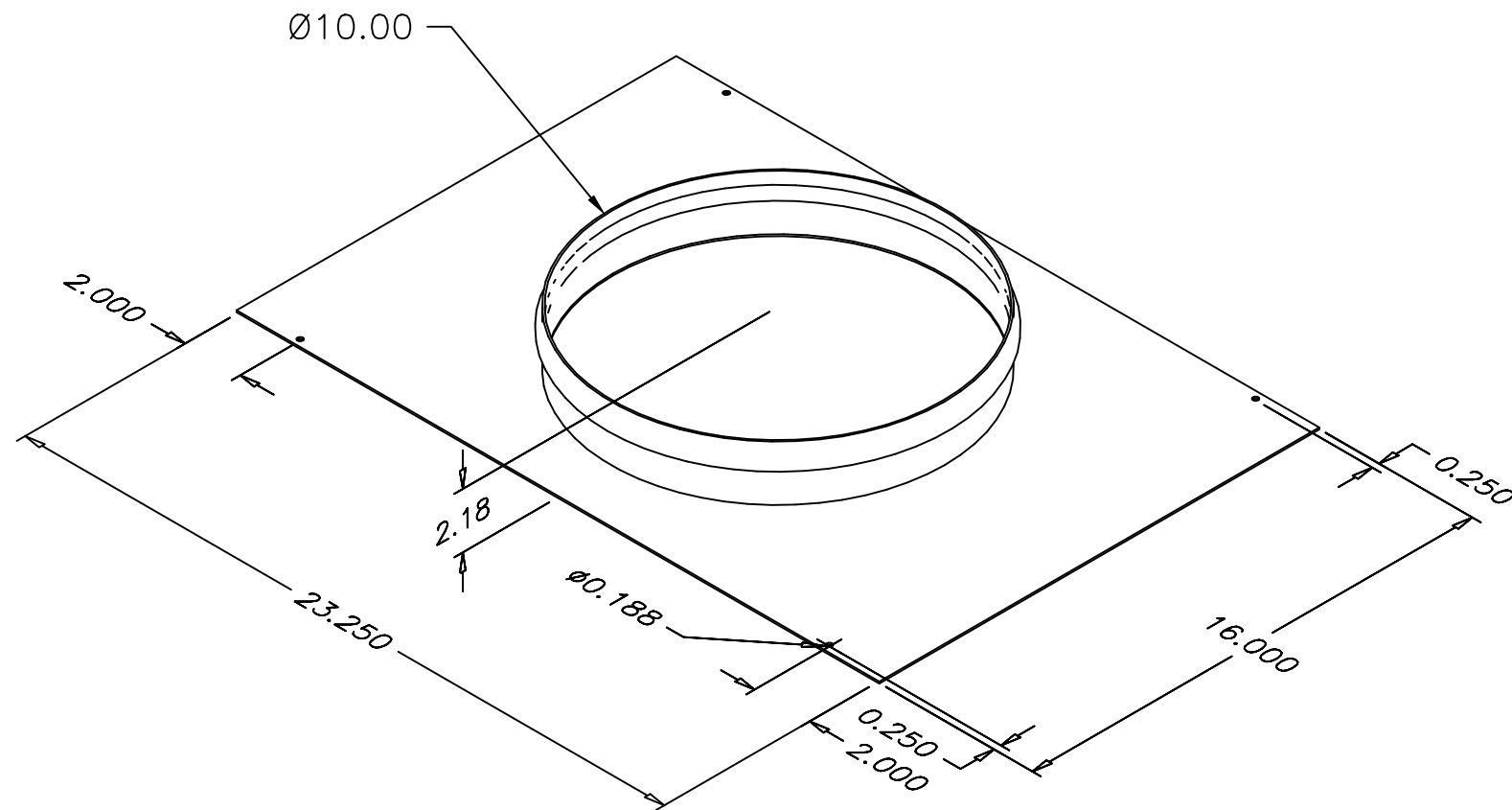


REV	ZONE	DESCRIPTION OF CHANGE	BY	DATE
A	-	PRODUCTION RELEASE	MAK	7/7/05
B		MATERIAL WAS 50186;PCN-17893	MAK	4/11/07



SIZE	HOLE A
23.25X16.00	Ø10.00

1	2.32	.063 ALUMINUM	50204	STK
ITEM	QTY	DESCRIPTION	PART NO	DEPT

TOLERANCES
UNLESS OTHERWISE SPECIFIED
.X = ±0.1 ANGLE = ±1/2°
.XX = ±0.03 FRACTION = ±3/16
.XXX = ±0.015



TITLE 10" DUCT COLLAR PLATE

DO NOT SCALE DRAWING

NOTES: UNLESS OTHERWISE SPECIFIED

THIS DRAWING IS A PROPERTY OF ENVIRCO CORPORATION AND MAY NOT BE USED, REPRODUCED, PUBLISHED, OR DISCLOSED TO OTHERS WITHOUT EXPRESS AUTHORIZATION BY ENVIRCO CORP.

MATERIAL SPECIFICATION 50204 .063 ALUMINUM	DRAWN BY MAK	DRAWING NUMBER 10691-003	REV. B
NEXT ASSEMBLY	CHECKED BY	SCALE	SHEET 1 of 1
	APPROVED BY		SIZE B