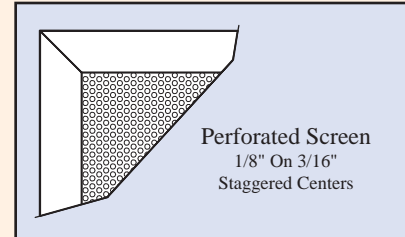


Grilles and Knife Edge

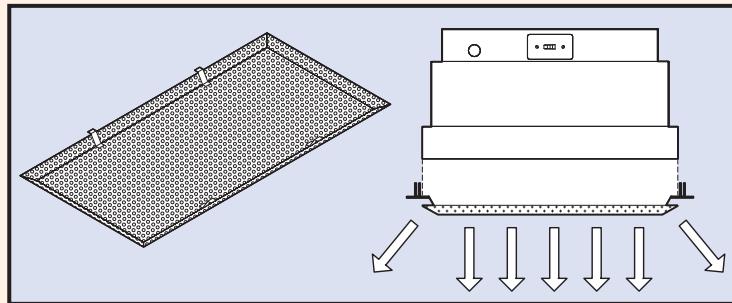
Grilles 1/8" Round Perforated (40% Open Area)		
Model No.	Description	Size
19506	GS Anodized Aluminum Grille w/Anodized Aluminum Frame	2 x 2
19507	GS Anodized Aluminum Grille w/Anodized Aluminum Frame	2 x 4
19508	GS White Painted w/White Painted Frame	2 x 2
19509	GS White Painted w/White Painted Frame	2 x 4
19511	GS Stainless Steel Rd Grille w/Anodized Aluminum Frame	2 x 4
19512	GS Stainless Steel Rd Grille w/Anodized Aluminum Frame	2 x 2
19514	GS Stainless Steel Perf Grille w/Stainless Steel Frame	2 x 4
19525	GS Stainless Steel Perf Grille w/Stainless Steel Frame	2 x 2



NOTE: Other grille options available - Consult Factory

Radial Diffuser Grille		
Model No.	Description	Size
19300	4 Way, Anodized Aluminum	2 x 2
19301	4 Way, Anodized Aluminum	2 x 4
19302	4 Way, Anodized Aluminum	2 x 6

NOTE: White painted or stainless steel available upon request



Knife Edge Units (for installing in Gel Seal Style T-Bar.)

Consult with the factory for more information about SAM Units with knife edge

