

TS5540 Series

Precision Spray Valves



TECHCON™



Precision Spray Valve TS5540 Series

No overspray, precision, all stainless steel construction, spray valve, for low viscosity fluids.

The TS5540 Series Spray Valve is designed for precise spray applications of low viscosity fluids. An external stroke control makes it easy for the operator to fine tune fluid flow.

Total control of the spray cycle is provided by adjustable fluid flow and precise control of pre-spray, atomizing and post spray with the TS560R controller.

Down time is virtually eliminated with only one seal to replace during normal maintenance. The TS5540 Series spray valve comes with FDA-Compliant 303 stainless steel construction in both air cylinder and fluid housing.

A field replaceable Delrin® seat provides positive shut off and

Two nozzle types are made available. A cone (R) for round spray patterns and fan (F) for elliptically shaped patterns.

Part Number	Nozzle ID	Min. Ø Spray	Style
TS5540-014R	0.014"/0.36mm	0.17"/4.32mm	Round
TS5540-028R	0.028"/0.71mm	0.20"/5.08mm	Round
TS5540-046R	0.046"/1.17mm	0.25"/6.35mm	Round
TS5540-014F	0.014"/0.36mm	0.50"/12.7mm	Fan
TS5540-028F	0.028"/0.71mm	0.65"/16.51mm	Fan
TS5540-046F	0.046"/1.17mm	1.00"/24.4mm	Fan

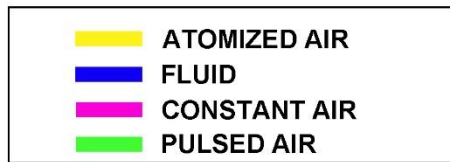
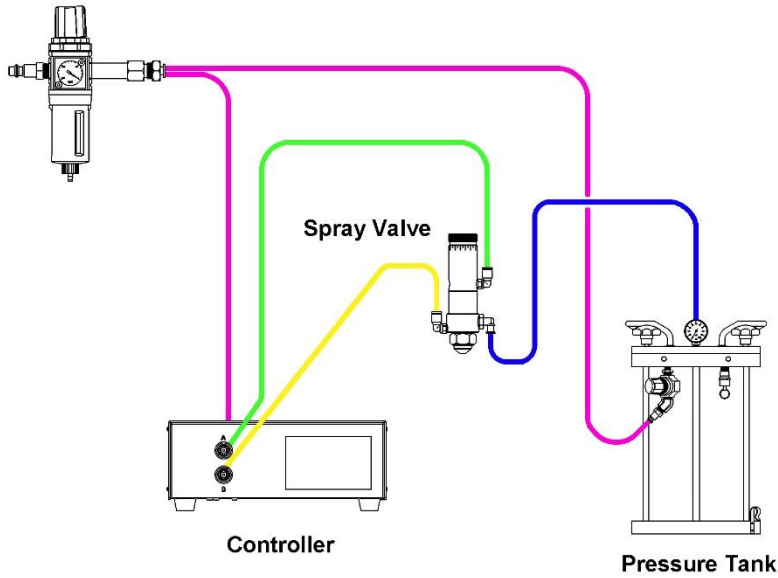
TS5540 Series

Precision Spray Valves



TECHCON™

IDENTIFICATION OF FEATURES



Key Features & Benefits

- No overspray
- Long life cycles
- Uniform spray pattern
- Round and elliptical spray patterns

Typical Applications

Spraying:

- Ink to indicate pass or fail
- Oil for lubrication purposes
- Conformal coating onto PCBAs

SPECIFICATIONS & PART NUMBERS

Part Number:	TS5540R (see page 1)	TS5540F (see page 1)
Size (Imperial):	4.1" x 1.12"	4.1" x 1.12"
Size (Metric):	104.1mm x 28.4mm	104.1mm x 28.4mm
Weight:	0.73 lb (331g)	0.73 lb (331g)
Fluid Inlet:	1/8" NPT female	1/8" NPT female
Fluid Outlet:	Spray cap	Spray cap
Aux. Inlet: (Double Acting)	10-32 UNF female	10-32 UNF female
Act. Pressure:	70 psi (4.8bar) Min.	70 psi (4.8bar) Min.
Fluid Pressure:	100 psi (6.9bar) Max.	100 psi (6.9bar) Max.
Cycle Rate:	400+ Cycles/min.	400+ Cycles/min.
Mounting Port:	¼ -20 UNC-2B female	¼ -20 UNC-2B female
Viscosity Range:	1 – 5 000cps	1 – 5 000cps
Wetted Parts:	SS*, Teflon®, Delrin®	SS*, Teflon®, Delrin®

*SS: Stainless Steel

The valve is shipped with the following items:

- Mounting Bracket
- Air Hose
- Luer Lock Fluid Line
- ¼" and Luer lock inlet fittings

ACCESSORIES

- Fluid Reservoirs: The valve can be fed from Techcon's TS1254 or TS1258 pressure tanks, or from any size syringe barrel.
- Recommended Controller: TS560R Smart Spray Valve Controller

171005-1200-CL