

## Ducted Fume Hood - 18" Wide

Model # SS-218-E

Sentry Air's **18" Wide Ducted Exhaust Hood** integrates high quality materials and superior design to provide compact and lightweight exterior-ducting fume hood solution. This benchtop unit features unique hinged folding side panels, a high-density polyethylene base, a clear polycarbonate top, and a polycarbonate hinged sloping front lid. Typically, exhaust hoods are utilized in *chemical laboratories – especially when evaporating large amounts of volatiles organics, chemicals with low odor thresholds, heavy powder and capsule filling, and a variety of other processes that require exterior fume exhaust.*

The **18" Wide Ducted Exhaust Hood** provides an effective and economical tool for air quality enhancement in many commercial, chemical, medical, laboratory, and industrial applications.

This unique **Ducted Fume Hood** can be customized in numerous ways including:

- Material Options (e.g. metal, esd-safe, PVC)
- Size Options (width, height, depth, access area dimensions)
- Custom Cutouts (e.g. sink, machinery, microscopes)
- Dual-Entry Configuration
- Custom Illumination Options (e.g. Black Light)
- Accessories for Hanging Equipment

This unit includes a 4" Exhaust Collar and does not include ducting or fan. Ask Sentry Air Systems Applications Specialists for assistance in selecting a suitable fan. Sentry Air Systems also manufactures fume hoods that include a fan and filtration media (Ductless Fume Hood).

**Disclaimer: The end user is ultimately responsible for conforming to all applicable exhaust ventilation regulations. Consult local, state and federal agencies regarding the suitability of your application prior to venting fumes to the environment. It is your ultimate responsibility to ensure the safety and suitability of your application. For more information, contact a local safety professional (certified industrial hygienist) for conformance and suitability.**

### Product Features

- **Includes:** LED light
- **Optional:** spill trays, and anti-static vinyl curtains
- Standard Sizes: 18", 24", 30", 40", 50", 60", and 70"
- Custom sizes and modification options

MADE IN  
THE USA



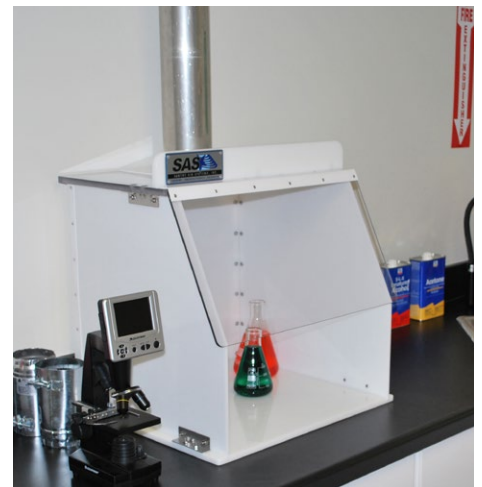
SINCE 1983



18" Ducted Fume Hood



Ducted Fume Hoods provide fume extraction for various applications.



# Exhaust Fume Hood

## Product Specifications



Shown with Outer Dimensions.  
Dimensions are approximate

<b>Hood Dimensions (D x W x H)</b>	<b>Outer:</b> 18.5" x 20" x 19" <b>Interior:</b> 18" x 18" x 18" <b>Access Area:</b> 8" x 18"
<b>Hood Material</b>	<b>Sides:</b> 0.25" White Acrylic <b>Base:</b> 0.5" White High Density Polyethylene <b>Top:</b> 0.5" Clear Polycarbonate <b>Front:</b> 0.25" Clear Polycarbonate
<b>Exhaust Connection</b>	4" exhaust collar <i>Ducting &amp; Fan are not included with this product.</i>
<b>Weight (approximately)</b>	25 lbs
<b>Maximum Operating Temperature</b>	Not to exceed 170° F
<b>Warranty</b>	Limited two-year warranty from date of shipment on defects due to materials or workmanship.
<b>US Patent</b>	#5,843,197



## Ducted Fume Hood - 30" Wide



### Model # SS-330-E

Sentry Air's **30" Wide Ducted Exhaust Hood** integrates high quality materials and superior design to provide compact and lightweight exterior-ducting fume hood solution. This benchtop unit features unique hinged folding side panels, a high-density polyethylene base, a clear polycarbonate top, and a polycarbonate hinged sloping front lid. Typically, exhaust hoods are utilized in *chemical laboratories – especially when evaporating large amounts of volatiles organics, chemicals with low odor thresholds, heavy powder and capsule filling, and a variety of other processes that require exterior fume exhaust.*

The 30" Wide Ducted Exhaust Hood provides an effective and economical tool for air quality enhancement in many commercial, chemical, medical, laboratory, and industrial applications.

This unique **Ducted Fume Hood** can be customized in numerous ways including:

- Material Options (e.g. metal, esd-safe, PVC)
- Size Options (width, height, depth, access area dimensions)
- Custom Cutouts (e.g. sink, machinery, microscopes)
- Dual-Entry Configuration
- Custom Illumination Options (e.g. Black Light)
- Accessories for Hanging Equipment

This unit includes a 6" Exhaust Collar and does not include ducting or fan. Ask Sentry Air Systems Applications Specialists for assistance in selecting a suitable fan. Sentry Air Systems also manufactures fume hoods that include a fan and filtration media (Ductless Fume Hood).

**Disclaimer: The end user is ultimately responsible for conforming to all applicable exhaust ventilation regulations. Consult local, state and federal agencies regarding the suitability of your application prior to venting fumes to the environment. It is your ultimate responsibility to ensure the safety and suitability of your application. For more information, contact a local safety professional (certified industrial hygienist) for conformance and suitability.**

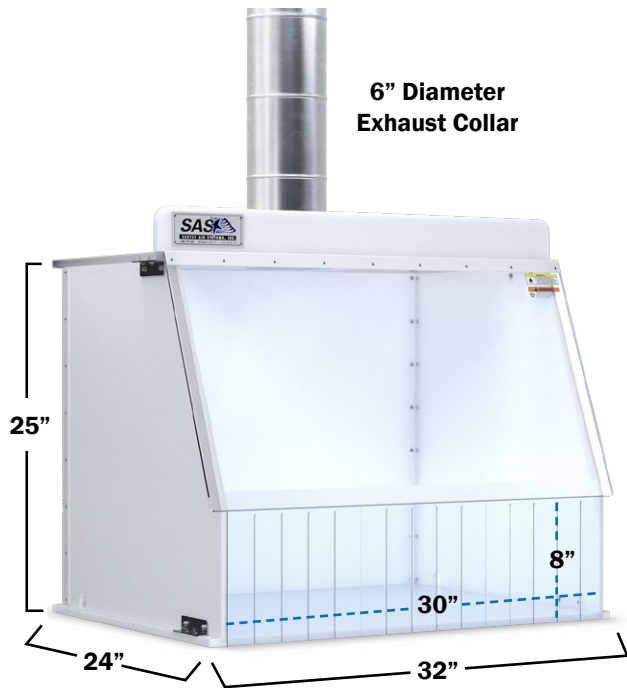
### Product Features

- **Includes:** LED light
- **Optional:** spill trays, and anti-static vinyl curtains
- Standard Sizes: 18", 24", 30", 40", 50", 60", and 70"
- Custom sizes and modification options



# Exhaust Fume Hood

## Product Specifications



Shown with Outer Dimensions.  
Dimensions are approximate

<b>Hood Dimensions (D x W x H)</b>	<b>Outer:</b> 24" x 32" x 25" <b>Interior:</b> 23.5" x 30" x 24" <b>Access Area:</b> 8" x 30"
<b>Hood Material</b>	<b>Sides:</b> 0.25" White Acrylic <b>Base:</b> 0.5" White High Density Polyethylene <b>Top:</b> 0.5" Clear Polycarbonate <b>Front:</b> 0.25" Clear Polycarbonate
<b>Exhaust Connection</b>	6" exhaust collar <i>Ducting &amp; Fan are not included with this product.</i>
<b>Weight (approximately)</b>	50 lbs
<b>Maximum Operating Temperature</b>	Not to exceed 170° F
<b>Warranty</b>	Limited two-year warranty from date of shipment on defects due to materials or workmanship.
<b>US Patent</b>	#5,843,197



## Ducted Fume Hood - 40" Wide

Model # SS-340-E

Sentry Air's **40" Wide Ducted Exhaust Hood** integrates high quality materials and superior design to provide compact and lightweight exterior-ducting fume hood solution. This benchtop unit features unique hinged folding side panels, a high-density polyethylene base, a clear polycarbonate top, and a polycarbonate hinged sloping front lid. Typically, exhaust hoods are utilized in *chemical laboratories – especially when evaporating large amounts of volatiles organics, chemicals with low odor thresholds, heavy powder and capsule filling, and a variety of other processes that require exterior fume exhaust.*

The **40" Wide Ducted Exhaust Hood** provides an effective and economical tool for air quality enhancement in many commercial, chemical, medical, laboratory, and industrial applications.

This unique **Ducted Fume Hood** can be customized in numerous ways including:

- Material Options (e.g. metal, esd-safe, PVC)
- Size Options (width, height, depth, access area dimensions)
- Custom Cutouts (e.g. sink, machinery, microscopes)
- Dual-Entry Configuration
- Custom Illumination Options (e.g. Black Light)
- Accessories for Hanging Equipment

This unit includes a 6" Exhaust Collar and does not include ducting or fan. Ask Sentry Air Systems Applications Specialists for assistance in selecting a suitable fan. Sentry Air Systems also manufactures fume hoods that include a fan and filtration media (Ductless Fume Hood).

**Disclaimer: The end user is ultimately responsible for conforming to all applicable exhaust ventilation regulations. Consult local, state and federal agencies regarding the suitability of your application prior to venting fumes to the environment. It is your ultimate responsibility to ensure the safety and suitability of your application. For more information, contact a local safety professional (certified industrial hygienist) for conformance and suitability.**

### Product Features

- **Includes:** LED light
- **Optional:** spill trays, and anti-static vinyl curtains
- Standard Sizes: 18", 24", 30", 40", 50", 60", and 70"
- Custom sizes and modification options



40" Ducted Fume Hood

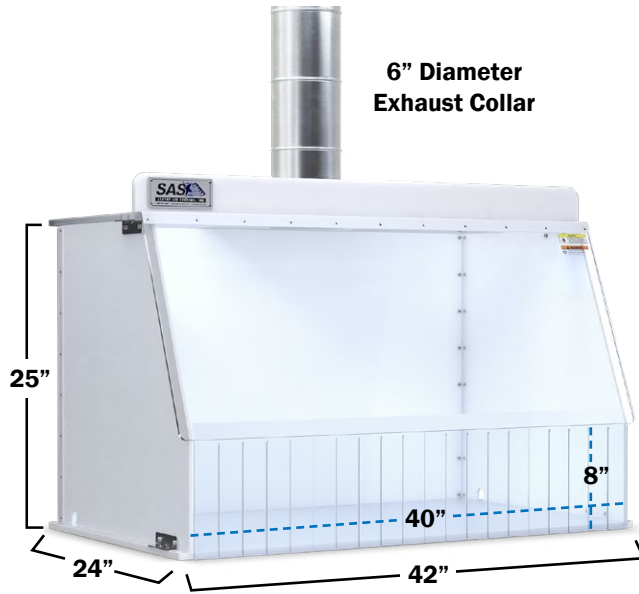


Ducted Fume Hoods provide useful fume extraction for various applications (30" pictured).



# Exhaust Fume Hood

## Product Specifications



Shown with Outer Dimensions.  
Dimensions are approximate

<b>Hood Dimensions (D x W x H)</b>	<b>Outer:</b> 24" x 42" x 25" <b>Interior:</b> 23.5" x 40" x 24" <b>Access Area:</b> 8" x 40"
<b>Hood Material</b>	<b>Sides:</b> 0.25" White Acrylic <b>Base:</b> 0.5" White High Density Polyethylene <b>Top:</b> 0.5" Clear Polycarbonate <b>Front:</b> 0.25" Clear Polycarbonate
<b>Exhaust Connection</b>	6" exhaust collar <i>Ducting &amp; Fan are not included with this product.</i>
<b>Weight (approximately)</b>	65 lbs
<b>Maximum Operating Temperature</b>	Not to exceed 170° F
<b>Warranty</b>	Limited two-year warranty from date of shipment on defects due to materials or workmanship.
<b>US Patent</b>	#5,843,197



## Ducted Fume Hood - 50" Wide

Model # SS-350-E

Sentry Air's **50" Wide Ducted Exhaust Hood** integrates high quality materials and superior design to provide compact and lightweight exterior-ducting fume hood solution. This benchtop unit features unique hinged folding side panels, a high-density polyethylene base, a clear polycarbonate top, and a polycarbonate hinged sloping front lid. Typically, exhaust hoods are utilized in *chemical laboratories – especially when evaporating large amounts of volatiles organics, chemicals with low odor thresholds, heavy powder and capsule filling, and a variety of other processes that require exterior fume exhaust.*

The **50" Wide Ducted Exhaust Hood** provides an effective and economical tool for air quality enhancement in many commercial, chemical, medical, laboratory, and industrial applications.

This unique **Ducted Fume Hood** can be customized in numerous ways including:

- Material Options (e.g. metal, esd-safe, PVC)
- Size Options (width, height, depth, access area dimensions)
- Custom Cutouts (e.g. sink, machinery, microscopes)
- Dual-Entry Configuration
- Custom Illumination Options (e.g. Black Light)
- Accessories for Hanging Equipment

This unit includes a 8" Exhaust Collar and does not include ducting or fan. Ask Sentry Air Systems Applications Specialists for assistance in selecting a suitable fan. Sentry Air Systems also manufactures fume hoods that include a fan and filtration media (Ductless Fume Hood).

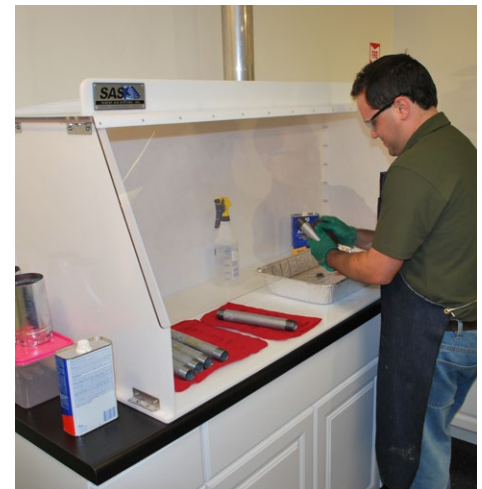
**Disclaimer: The end user is ultimately responsible for conforming to all applicable exhaust ventilation regulations. Consult local, state and federal agencies regarding the suitability of your application prior to venting fumes to the environment. It is your ultimate responsibility to ensure the safety and suitability of your application. For more information, contact a local safety professional (certified industrial hygienist) for conformance and suitability.**

### Product Features

- **Includes:** LED light
- **Optional:** spill trays, and anti-static vinyl curtains
- Standard Sizes: 18", 24", 30", 40", 50", 60", and 70"
- Custom sizes and modification options



50" Ducted Fume Hood

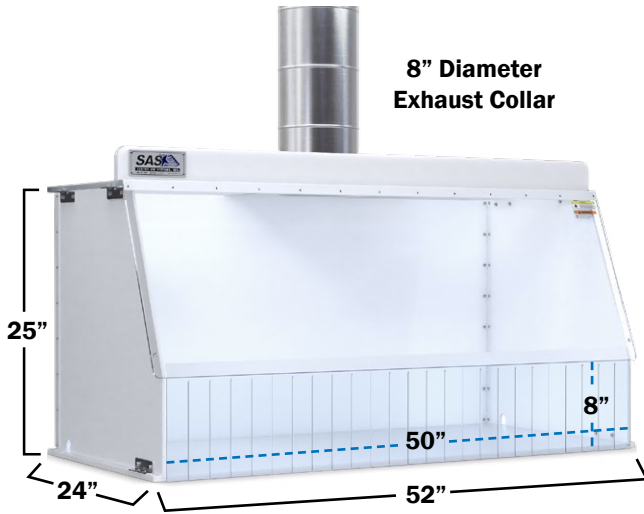


Ducted Fume Hoods provide fume extraction for various applications.



# Exhaust Fume Hood

## Product Specifications



Shown with Outer Dimensions.  
Dimensions are approximate

<b>Hood Dimensions (D x W x H)</b>	<b>Outer:</b> 24" x 52" x 25" <b>Interior:</b> 23.5" x 50" x 24" <b>Access Area:</b> 8" x 50"
<b>Hood Material</b>	<b>Sides:</b> 0.25" White Acrylic <b>Base:</b> 0.5" White High Density Polyethylene <b>Top:</b> 0.5" Clear Polycarbonate <b>Front:</b> 0.25" Clear Polycarbonate
<b>Exhaust Connection</b>	8" exhaust collar <i>Ducting &amp; Fan are not included with this product.</i>
<b>Weight (approximately)</b>	75 lbs
<b>Maximum Operating Temperature</b>	Not to exceed 170° F
<b>Warranty</b>	Limited two-year warranty from date of shipment on defects due to materials or workmanship.
<b>US Patent</b>	#5,843,197





## Ducted Fume Hood - 60" Wide

Model # SS-360-E

Sentry Air's **60" Wide Ducted Exhaust Hood** integrates high quality materials and superior design to provide compact and lightweight exterior-ducting fume hood solution. This benchtop unit features unique hinged folding side panels, a high-density polyethylene base, a clear polycarbonate top, and a polycarbonate hinged sloping front lid. Typically, exhaust hoods are utilized in *chemical laboratories – especially when evaporating large amounts of volatiles organics, chemicals with low odor thresholds, heavy powder and capsule filling, and a variety of other processes that require exterior fume exhaust.*

The **60" Wide Ducted Exhaust Hood** provides an effective and economical tool for air quality enhancement in many commercial, chemical, medical, laboratory, and industrial applications.

This unique **Ducted Fume Hood** can be customized in numerous ways including:

- Material Options (e.g. metal, esd-safe, PVC)
- Size Options (width, height, depth, access area dimensions)
- Custom Cutouts (e.g. sink, machinery, microscopes)
- Dual-Entry Configuration
- Custom Illumination Options (e.g. Black Light)
- Accessories for Hanging Equipment

This unit includes a 8" Exhaust Collar and does not include ducting or fan. Ask Sentry Air Systems Applications Specialists for assistance in selecting a suitable fan. Sentry Air Systems also manufactures fume hoods that include a fan and filtration media (Ductless Fume Hood).

**Disclaimer: The end user is ultimately responsible for conforming to all applicable exhaust ventilation regulations. Consult local, state and federal agencies regarding the suitability of your application prior to venting fumes to the environment. It is your ultimate responsibility to ensure the safety and suitability of your application. For more information, contact a local safety professional (certified industrial hygienist) for conformance and suitability.**

### Product Features

- **Includes:** LED light and anti-static vinyl curtains
- **Optional:** spill trays
- Standard Sizes: 18", 24", 30", 40", 50", 60", and 70"
- Custom sizes and modification options



60" Ducted Fume Hood

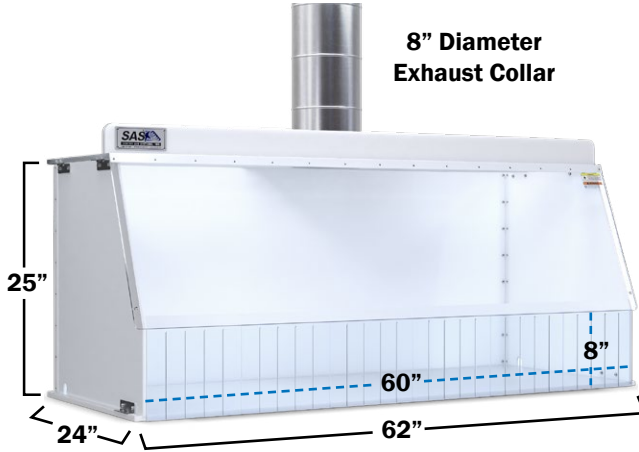


Ducted Fume Hoods provide fume extraction for various applications (50" pictured).



# Exhaust Fume Hood

## Product Specifications



Shown with Outer Dimensions.  
Dimensions are approximate

<b>Hood Dimensions (D x W x H)</b>	<b>Outer:</b> 24" x 62" x 25" <b>Interior:</b> 23.5" x 60" x 24" <b>Access Area:</b> 8" x 60"
<b>Hood Material</b>	<b>Sides:</b> 0.25" White Acrylic <b>Base:</b> 0.5" White High Density Polyethylene <b>Top:</b> 0.5" Clear Polycarbonate <b>Front:</b> 0.25" Clear Polycarbonate
<b>Exhaust Connection</b>	8" exhaust collar <i>Ducting &amp; Fan are not included with this product.</i>
<b>Weight (approximately)</b>	90 lbs
<b>Maximum Operating Temperature</b>	Not to exceed 170° F
<b>Warranty</b>	Limited two-year warranty from date of shipment on defects due to materials or workmanship.
<b>US Patent</b>	#5,843,197



## 70" Ducted Fume Hood



### Model # SS-370-E

Sentry Air's **70" Wide Ducted Exhaust Hood** integrates high-quality materials and superior design to provide a compact and lightweight exterior-ducting fume hood solution. This benchtop unit features unique hinged folding side panels, a high-density polyethylene base, a clear polycarbonate top, and a polycarbonate hinged sloping front lid. Typically, exhaust hoods are utilized in *chemical laboratories – especially when evaporating large amounts of volatiles organics, chemicals with low odor thresholds, heavy powder and capsule filling, and a variety of other processes that require exterior fume exhaust.*

The **70" Ducted Exhaust Hood** provides an effective and economical tool for air quality enhancement in many commercial, chemical, medical, laboratory, and industrial applications.

This unique **Ducted Fume Hood** can be customized in numerous ways including:

- Material options (e.g. metal, esd-safe, PVC)
- Size options (width, height, depth, access area dimensions)
- Custom cutouts (e.g. sink, machinery, microscopes)
- Dual-entry configuration
- Custom illumination options (e.g. black light)
- Accessories for hanging equipment

This unit includes an 8" exhaust collar and does not include ducting or a fan. Ask *Sentry Air Systems Applications Specialists* for assistance in selecting a suitable fan. Sentry Air Systems also manufactures fume hoods that include a fan and filtration media (Ductless Fume Hood).

**Disclaimer:** *The end user is ultimately responsible for conforming to all applicable exhaust ventilation regulations. Consult local, state, and federal agencies regarding the suitability of your application prior to venting fumes to the environment. It is your ultimate responsibility to ensure the safety and suitability of your application. For more information, contact a local safety professional (certified industrial hygienist) for conformance and suitability.*

### Product Features

- **Includes:** LED light, 8" exhaust collar, and anti-static vinyl curtains
- **Optional:** stainless steel construction
- **Standard Sizes:** 18", 24", 30", 40", 50", 60", and 70"
- Custom sizes and modification options



70" Ducted Fume Hood

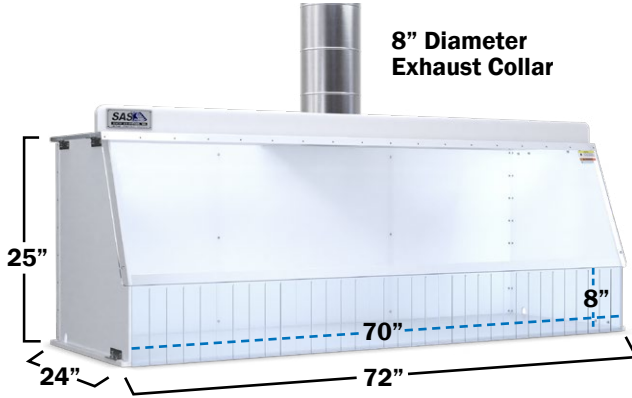


Ducted Fume Hoods provide fume extraction for various applications (50" pictured).



# Exhaust Fume Hood

## Product Specifications



Shown with outer dimensions.  
Dimensions are approximate.

<b>Hood Dimensions (D x W x H)</b>	<b>Outer:</b> 24" x 72" x 25" <b>Interior:</b> 23.5" x 70" x 24" <b>Access Area:</b> 8" x 70"
<b>Hood Material</b>	<b>Sides:</b> 0.25" white acrylic <b>Base:</b> 0.5" white high density polyethylene <b>Top:</b> 0.5" clear polycarbonate <b>Front:</b> 0.25" clear polycarbonate
<b>Exhaust Connection</b>	8" exhaust collar <i>Ducting &amp; Fan are not included with this product.</i>
<b>Weight (approximately)</b>	105 lbs
<b>Maximum Operating Temperature</b>	Not to exceed 170° F
<b>Warranty</b>	Limited two-year warranty from date of shipment on defects due to materials or workmanship.
<b>US Patent</b>	#5,843,197

