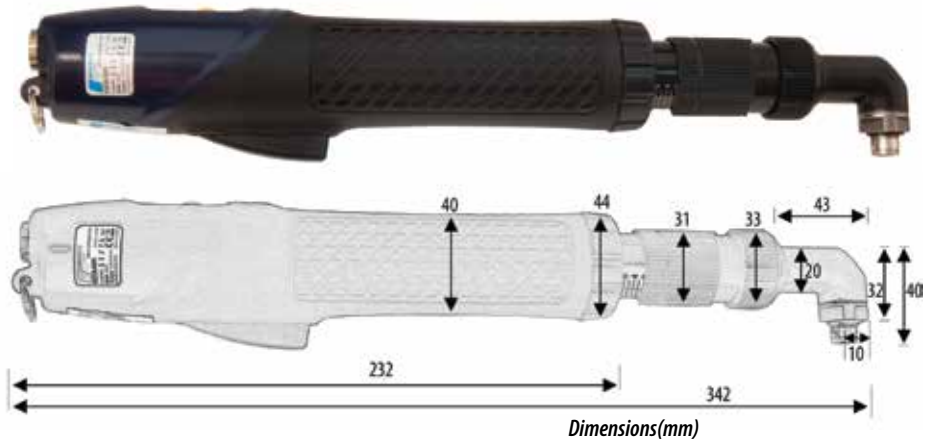
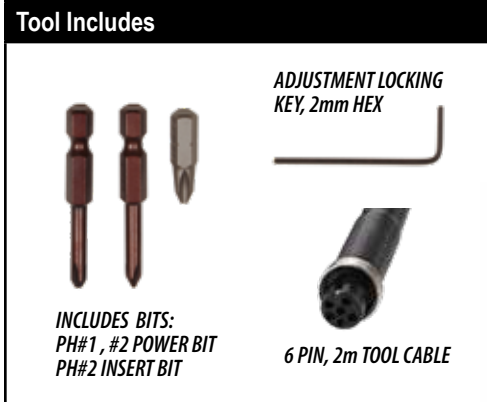


CESL(T)8 40VDC RIGHT ANGLE DRIVERS

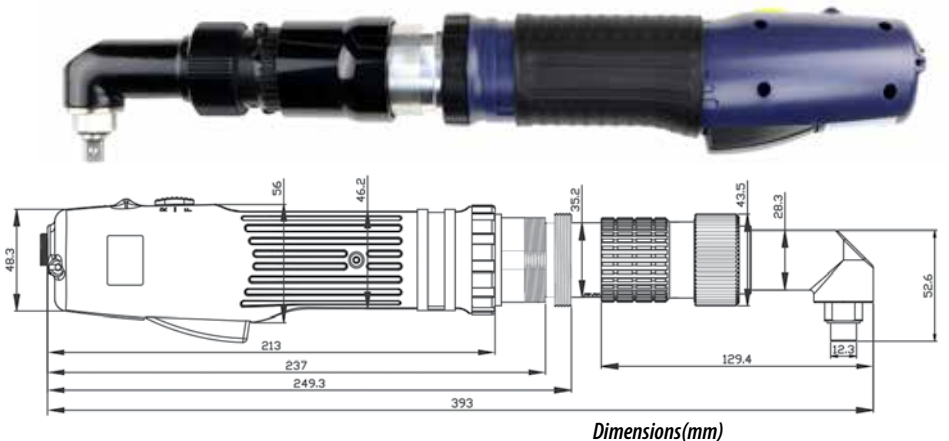
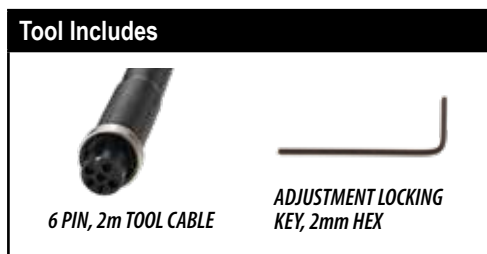
The Delta Regis 40VDC 90° Right Angle Drivers have a low-profile angle head attachment for applications with limited clearance. The right angle design provides the operator with a long handle to react the torque. CE/RoHS compliant.

8.9–195 in-lbs (0.98–22 Nm)

1/4" Hex Drive Models CESL828–829/RA, 0.98–3.61 Nm (8.9–32 in-lbs)



3/8" Sq. Drive Models CESLT835M–875M/RAS, 2–22 Nm (18–195 in-lbs)



Model Number (Standard Housing)	Model Number (w/ ESD Housing)	Torque Range		Speed (rpm)	Drive Type	Weight kg / lbs
		in-lbs	Nm			
CESL828/RA	CESL828-ESD/RA	8.9–19	0.98–2.15	1000	1/4" hex	0.77 / 1.7
CESL828F/RA	CESL828F-ESD/RA	8.9–19	0.98–2.15	2000		
CESL829/RA	CESL829-ESD/RA	17.4–32	1.96–3.61	1000		
CESLT835M/RAS	CESLT835M-ESD/RAS	18–45	2–5	1200	3/8" square*	1.77 / 3.9
CESLT845M/RAS	CESLT845M-ESD/RAS	27–67	3–7.5	900		
CESLT855M/RAS	CESLT855M-ESD/RAS	53–90	6–10	600		
CESLT855FM/RAS	CESLT855FM-ESD/RAS	53–90	6–10	880		
CESLT865M/RAS	CESLT865M-ESD/RAS	71–145	8–15	370		
CESLT865FM/RAS	CESLT865FM-ESD/RAS	71–145	8–15	600		
CESLT875M/RAS	CESLT875M-ESD/RAS	106–195	12–22	370		

*1/4" hex available — Replace "RAS" suffix with "RAH"