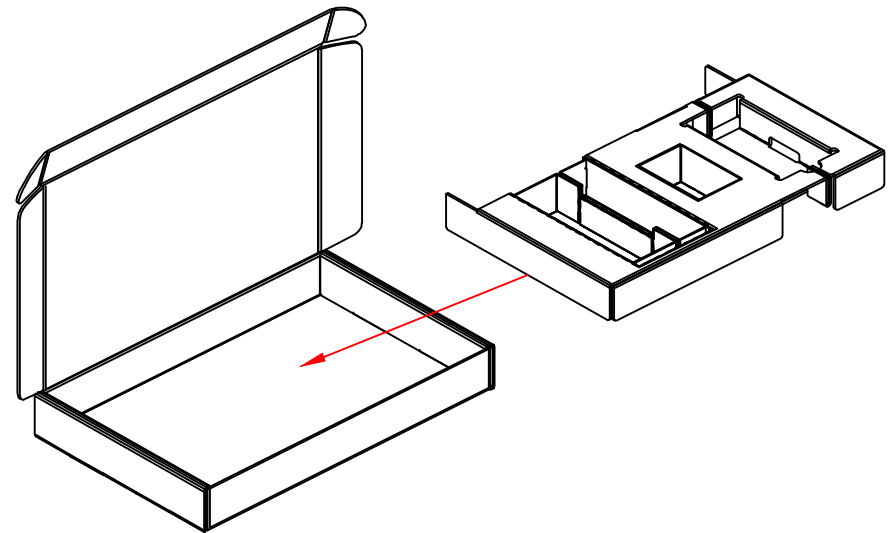
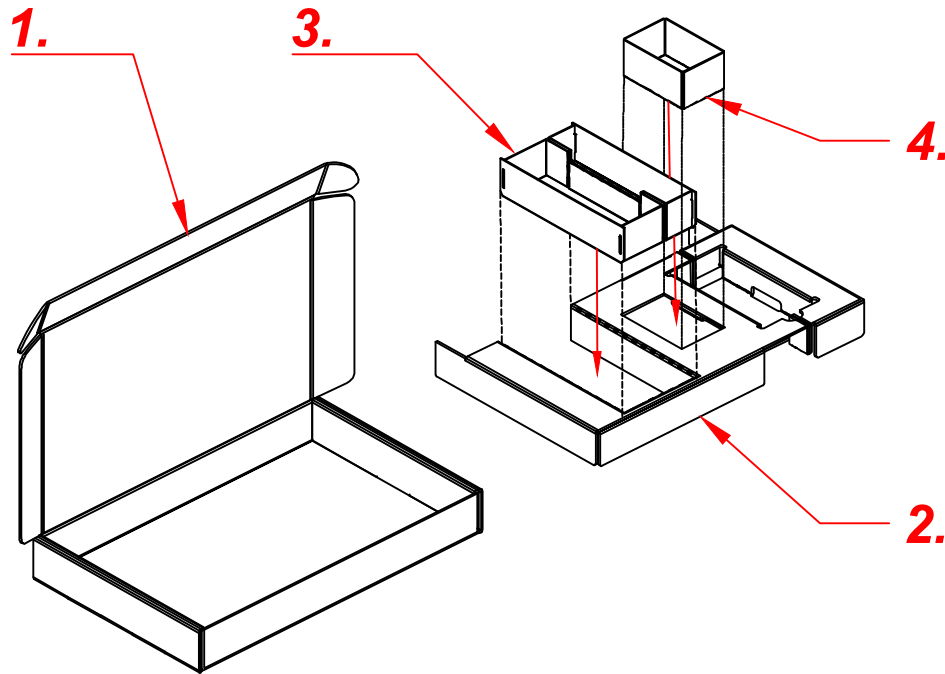
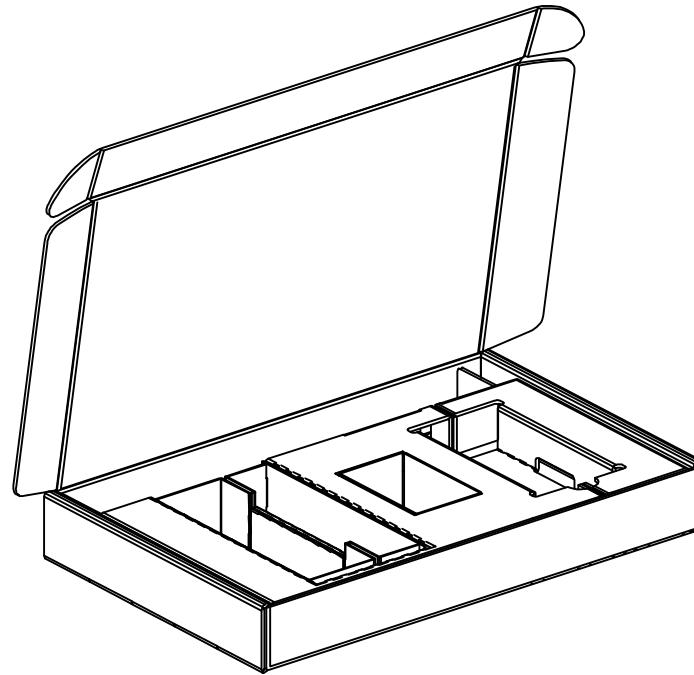


**COMPONENTS:**

1. RETT SHIPPER, ID: 16 3/4" x 11 1/4" x 2 1/4"
2. MAIN CORRUGATED INSERT: SCS STATIC MONITOR, MAIN DEVICE
3. TRAY INSERT: AC ADPATER, COMM. CABLE & COMM MONITOR
4. PARTITIONED CORRUGATED INSERT: GROUND WIRE & SNAP w/ STRAP & WIRE



**PROTEKTIVE PAK**  
BURIED SHIELDING LAYER

13520 MONTE VISTA AVE.  
CHINO, CALIFORNIA 91710  
PHONE: (909) 902-9370

CUSTOMER'S APPROVAL:

DATE: 2020-11-09

PART NO.: PPK-1091

MATERIAL: STATIC DISSIPATIVE IMPREGNATED CORRUGATED MATERIAL

STYLE: SEE NOTES