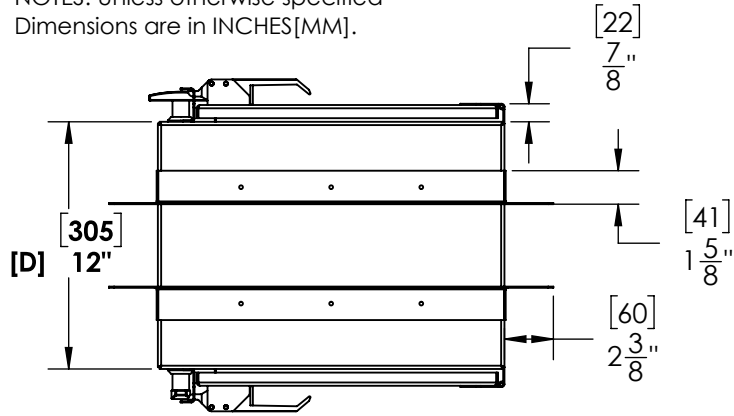


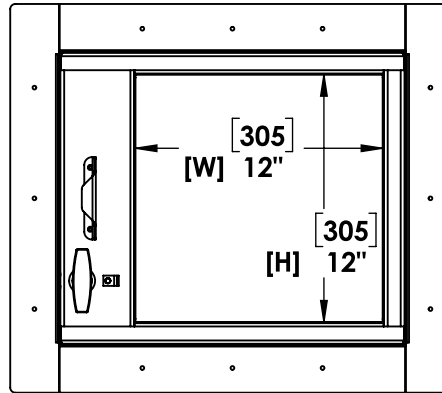


# 12" CABINET SPECIFICATIONS

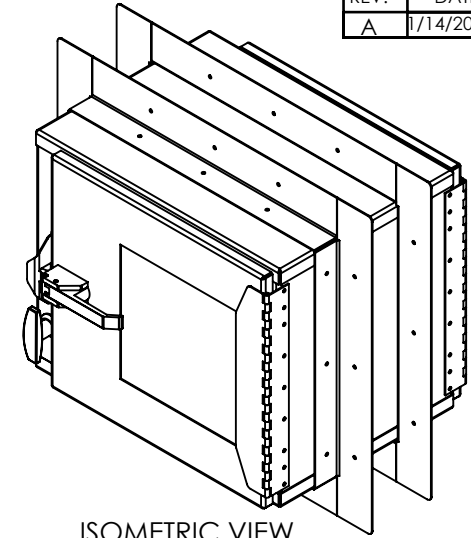
NOTES: Unless otherwise specified  
Dimensions are in INCHES[MM].



TOP VIEW



FRONT VIEW  
WITHOUT DOORS



ISOMETRIC VIEW

FEATURES:

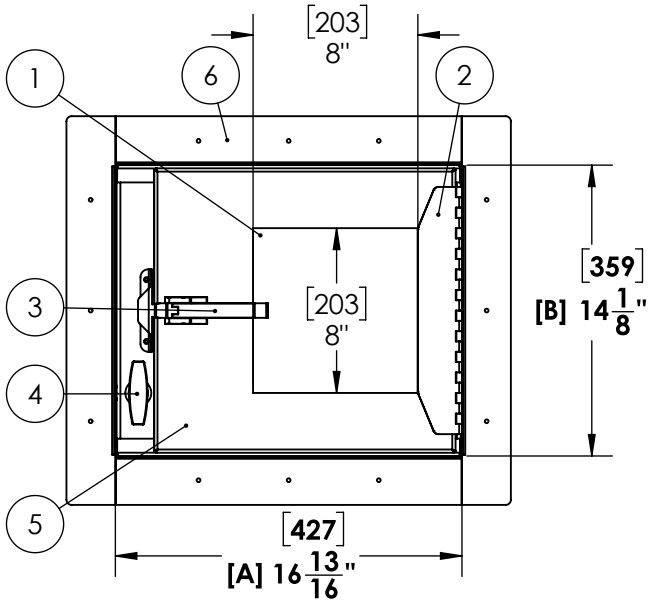
1. Clear Tempered Safety Glass
2. Stainless Steel Hinges
3. Stainless Steel Compression latch
4. Stainless Steel T-Handles Interlock
5. Stainless Steel Door Frame
6. Stainless Steel Mounting Frame Set ( 8 pcs.)

INTERLOCK OPERATION

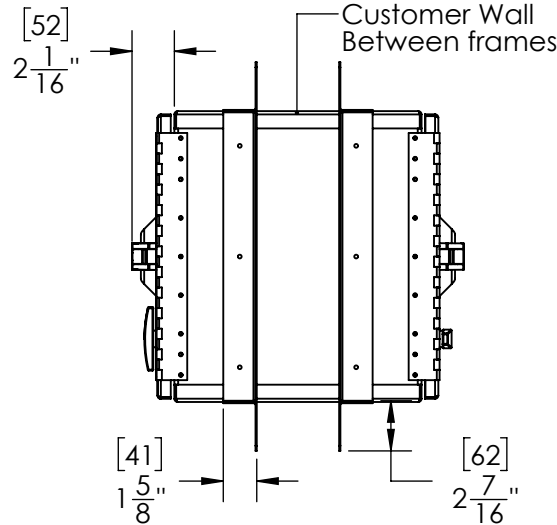
Turn The Interlock Handle ④ 90° To Unlock The Side,  
Then Pull the Door Latch To ③ Open The Door.  
(Only one side can be unlocked at a time)

Pass Thru Dimensions:

W = Inside Width  
H = Inside Height  
D = Inside Depth  
A = W + 4 13/16"  
B = H + 2 1/8"



FRONT VIEW



RIGHT VIEW

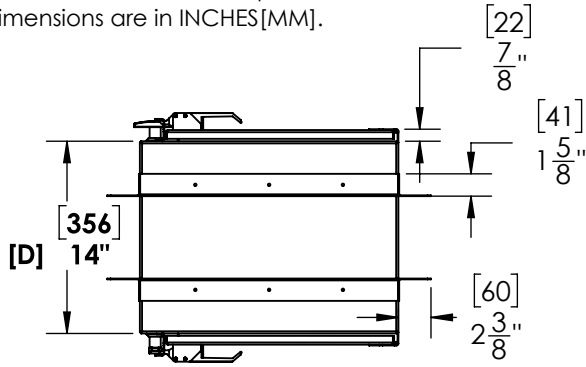
REV.	DATE
A	1/14/2021

PROPRIETARY INFORMATION			
<b>CleanPro</b>			
TITLE: Pass Through 12"		MATERIAL: 316 SS	
121 Cheshire Ln, Suite 400 Minnetonka, MN 55305		FINISH:	
DIMENSIONS ARE IN INCHES		DRAWN: RAFAEL RUIZ	SHEET
TOLERANCES DECIMALS		CHECKED:	1 - 1
.XX ± 0.01		ENG APPR:	
.XXX ± 0.005			

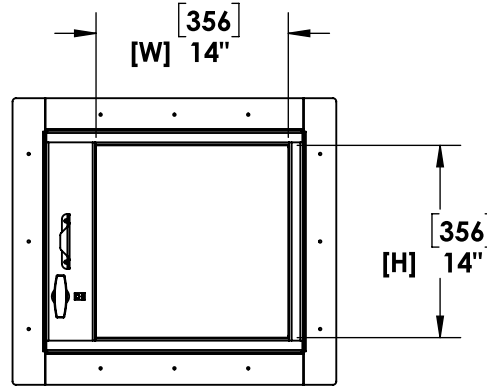
# 14" CABINET SPECIFICATIONS

NOTES: Unless otherwise specified  
Dimensions are in INCHES [MM].

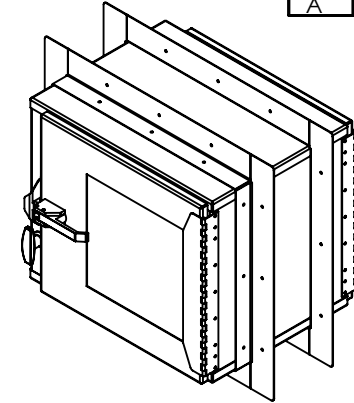
REV.	DATE
A	1/14/2021



TOP VIEW



FRONT VIEW  
WITHOUT DOORS



ISOMETRIC VIEW

FEATURES:

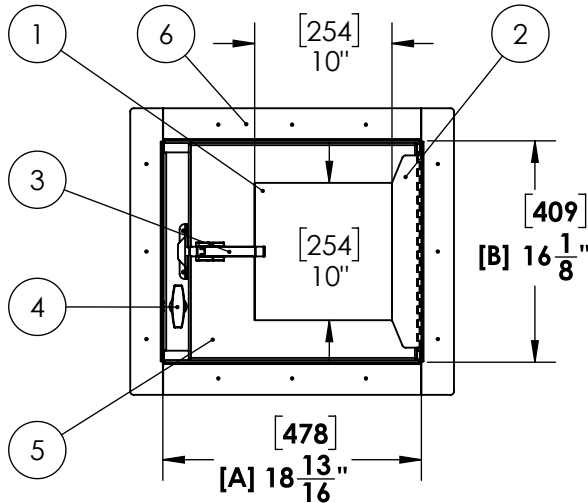
1. Clear Tempered Safety Glass
2. Stainless Steel Hinges
3. Stainless Steel Compression latch
4. Stainless Steel T-Handles Interlock
5. Stainless Steel Door Frame
6. Stainless Steel Mounting Frame Set ( 8 pcs.)

INTERLOCK OPERATION

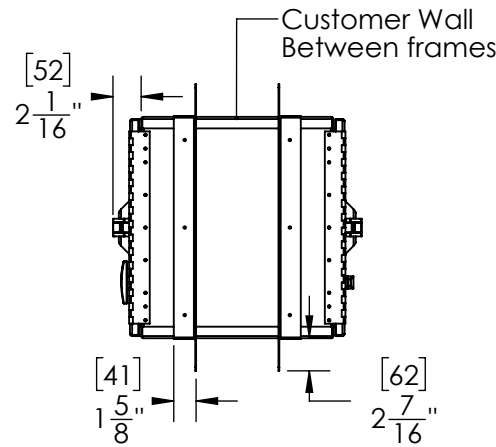
Turn The Interlock Handle ④ 90° To Unlock The Side,  
Then Pull the Door Latch To ③ Open The Door.  
(Only one side can be unlocked at a time)

Pass Thru Dimensions:

W = Inside Width
H = Inside Height
D = Inside Depth
A = W + 4 13/16 "
B = H + 2 1/8 "



FRONT VIEW



RIGHT VIEW

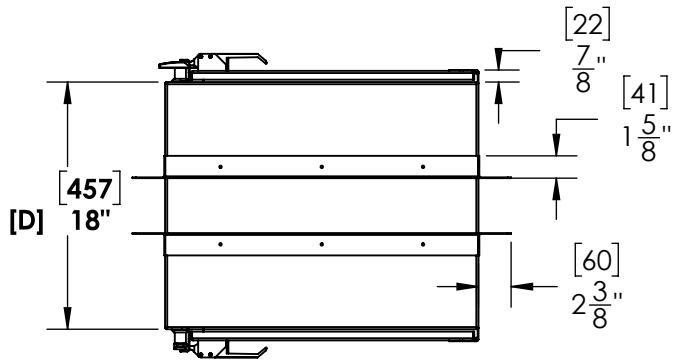
PROPRIETARY INFORMATION



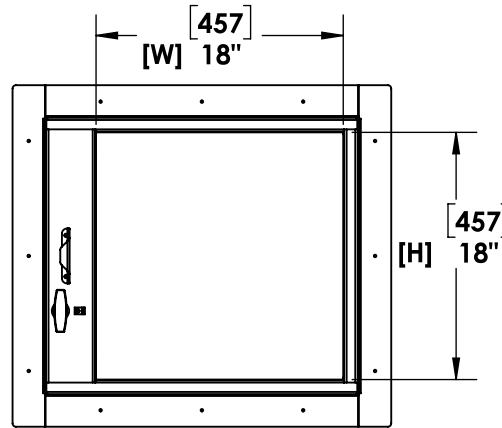
TITLE: Pass Through 14"		MATERIAL: 304 SS	
121 Cheshire Ln, Suite 400 Minnetonka, MN 55305		FINISH:	
DIMENSIONS ARE IN INCHES		DRAWN: RAFAEL RUIZ	SHEET: 1 - 1
TOLERANCES DECIMALS		CHECKED:	ENG APPR:
.XX ± 0.01			
.XXX ± 0.005			

# 18" CABINET SPECIFICATIONS

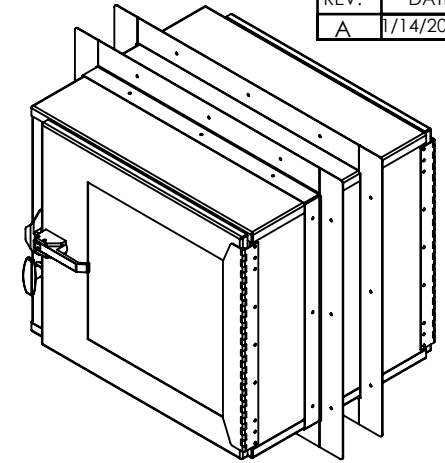
NOTES: Unless otherwise specified  
Dimensions are in INCHES [MM].



TOP VIEW

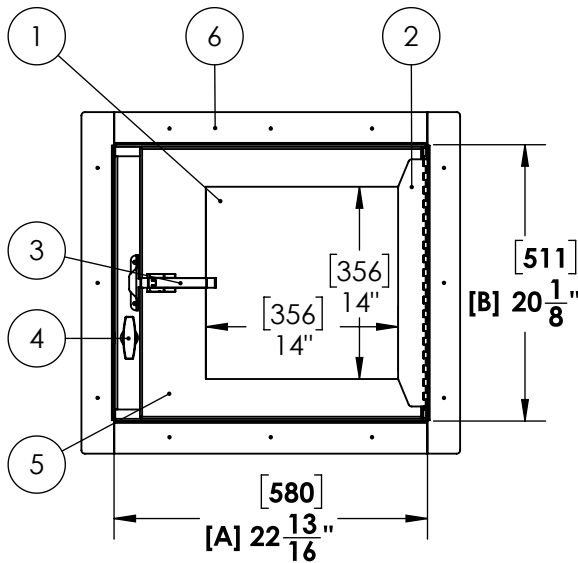


FRONT VIEW  
WITHOUT DOORS

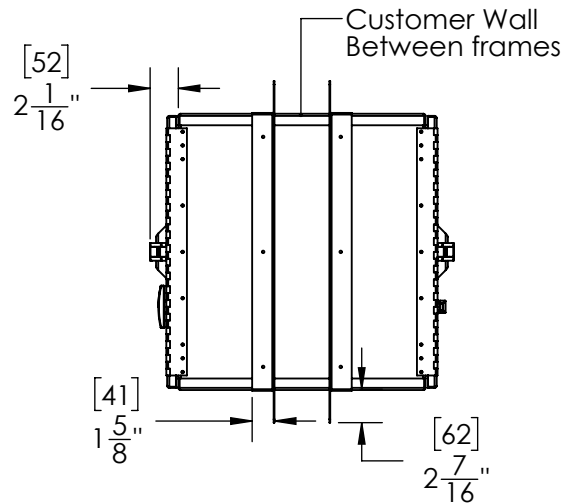


ISOMETRIC VIEW

REV.	DATE
A	1/14/2021



FRONT VIEW



RIGHT VIEW

FEATURES:

1. Clear Tempered Safety Glass
2. Stainless Steel Hinges
3. Stainless Steel Compression latch
4. Stainless Steel T-Handles Interlock
5. Stainless Steel Door Frame
6. Stainless Steel Mounting Frame Set ( 8 pcs.)

INTERLOCK OPERATION

Turn The Interlock Handle ④ 90° To Unlock The Side,  
Then Pull the Door Latch To ③ Open The Door.  
(Only one side can be unlocked at a time)

Pass Thru Dimensions:

W = Inside Width
H = Inside Height
D = Inside Depth
A = W + 4 13/16 "
B = H + 2 1/8 "

PROPRIETARY INFORMATION



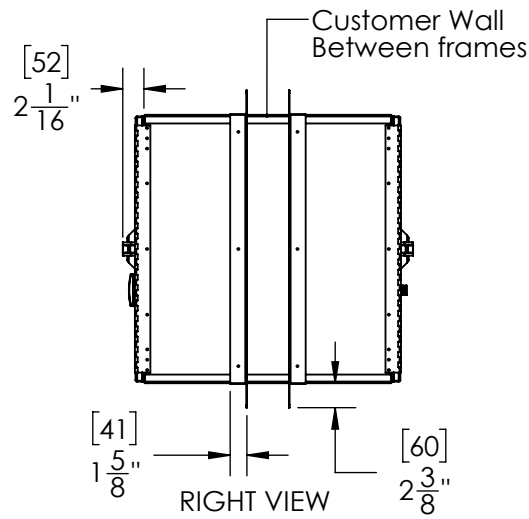
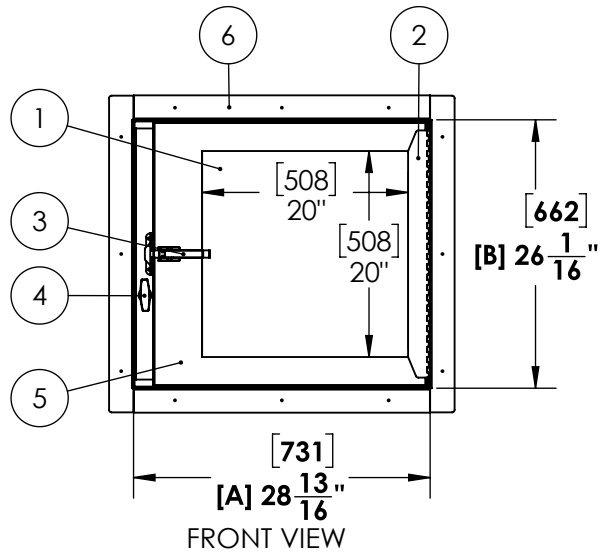
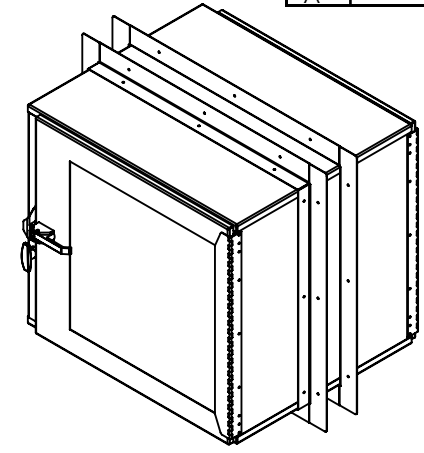
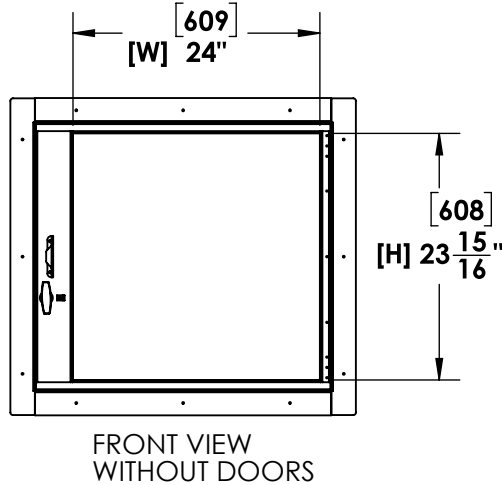
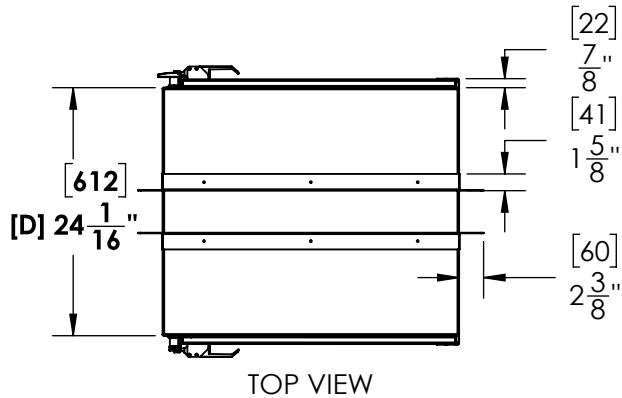
TITLE: Pass Through 18"		MATERIAL: 304 SS	
121 Cheshire Ln, Suite 400 Minnnetonka, MN 55305		FINISH:	
DIMENSIONS ARE IN INCHES		DRAWN: RAFAEL RUIZ	
TOLERANCES DECIMALS		CHECKED:	
.XX ± 0.01		ENG APPR:	
.XXX ± 0.005		1 - 1	



# 24" CABINET SPECIFICATIONS

REV.	DATE
A	12/07/2020

NOTES: Unless otherwise specified  
Dimensions are in INCHES[MM].



**FEATURES:**

1. Clear Tempered Safety Glass
2. Stainless Steel Hinges
3. Stainless Steel Compression latch
4. Stainless Steel T-Handles Interlock
5. Stainless Steel Door Frame
6. Stainless Steel Mounting Frame Set ( 8 pcs.)

**INTERLOCK OPERATION**

Turn The Interlock Handle ④ 90° To Unlock The Side, Then Pull the Door Latch To ③ Open The Door. (Only one side can be unlocked at a time)

**Pass Thru Dimensions:**

W = Inside Width  
H = Inside Height  
D = Inside Depth  
A = W + 4 13/16"  
B = H + 3 14/16"

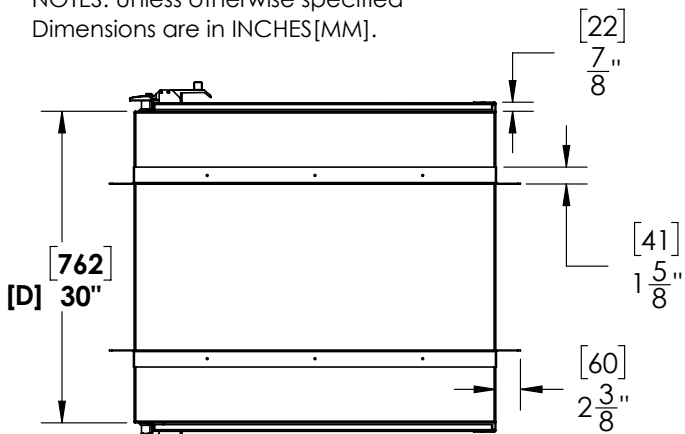
PROPRIETARY INFORMATION			
<b>CleanPro</b>			
TITLE: Pass Through 24"		MATERIAL: 304 SS	
121 Cheshire Ln, Suite 400 Minnetonka, MN 55305		FINISH:	
DIMENSIONS ARE IN INCHES		DRAWN: RAFAEL RUIZ	
TOLERANCES DECIMALS		CHECKED:	
.XX ± 0.01		ENG APPR:	
.XXX ± 0.005		1 - 1	



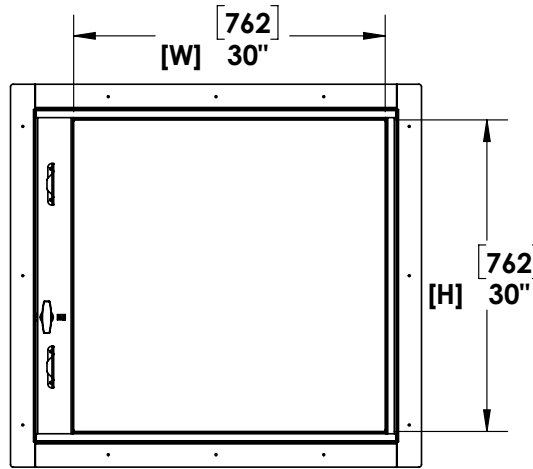
# 30" CABINET SPECIFICATIONS

NOTES: Unless otherwise specified  
Dimensions are in INCHES [MM].

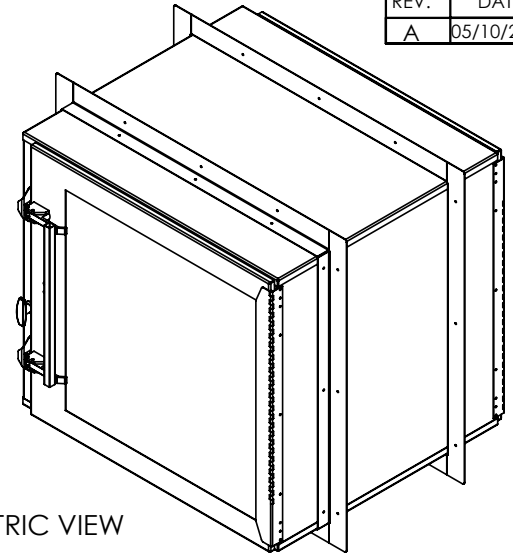
REV.	DATE
A	05/10/2021



TOP VIEW



FRONT VIEW  
WITHOUT DOORS



ISOMETRIC VIEW

FEATURES:

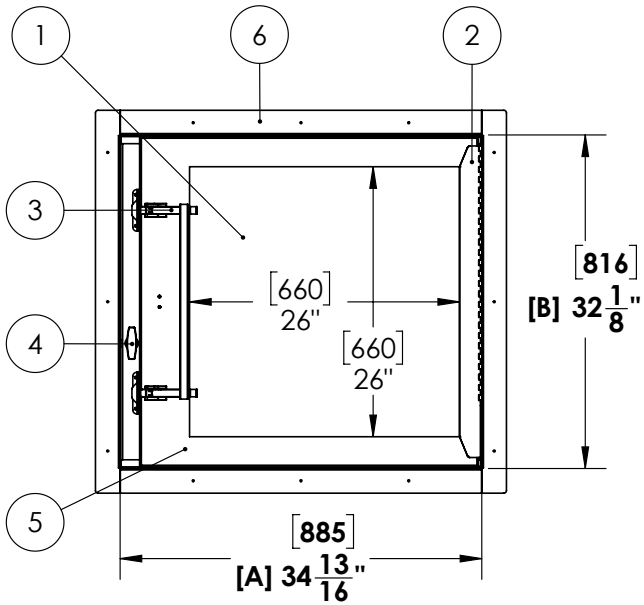
1. Clear Tempered Safety Glass
2. Stainless Steel Hinges
3. Stainless Steel Compression latch
4. Stainless Steel T-Handles Interlock
5. Stainless Steel Door Frame
6. Stainless Steel Mounting Frame Set ( 8 pcs.)

INTERLOCK OPERATION

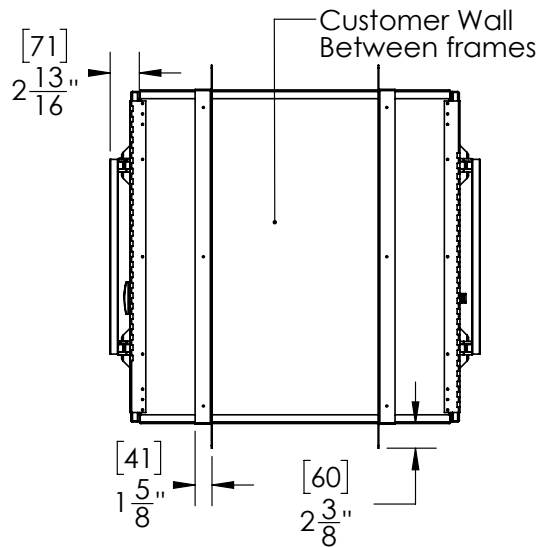
Turn The Interlock Handle ④ 90° To Unlock The Side,  
Then Pull the Door Latch To ③ Open The Door.  
(Only one side can be unlocked at a time)

Pass Thru Dimensions:

**W = Inside Width**  
**H = Inside Height**  
**D = Inside Depth**  
**A = W + 4 13/16"**  
**B = H + 2 1/8"**



FRONT VIEW



RIGHT VIEW

PROPRIETARY INFORMATION



TITLE: Pass Through 30"		MATERIAL: 316 SS	
121 Cheshire Ln, Suite 400 Minnnetonka, MN 55305		FINISH:	
DIMENSIONS ARE IN INCHES		DRAWN: RAFAEL RUIZ	SHEET
TOLERANCES DECIMALS		CHECKED:	1 - 1
.XX ± 0.01		ENG APPR:	
.XXX ± 0.005			