

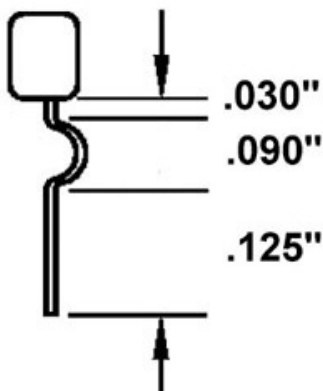
TECHNICAL DATA SHEET

Part#: 907-88C

Pliers - Cut & Stress Relief -★★★★★- Carbon Steel

The 907-88C five star 6" stress relief forming plier/cutter - the smaller design of this tool will "Stand-Off" the component closer to the PC board. The added shear cutter saves on component prep time. Recommended for .025" diameter or small leads. It features soft cushioned ESD safe (10^{10} ohms/sq) ergonomic grip with dual leaf springs for smooth action.

• Precision Level	★★★★★
• Material	Carbon
• Surface Resistivity	10^{10} ohms/sq
• Shape	Straight
• Group	Pliers
• Tip Size (CTM)	x
• Jaw Angle	
• Jaw Length	
• Body Width	0.43" (10.75mm)
• Body Height	0.26" (6.5mm)
• OAL	6" (150mm)
• Weight (OZ)	7.6
• UPC	662847008153
• Schedule B	8203.20.60.30
• ECCN	EAR99
• UNSPSC Code	
• Country of Origin	USA



EXCELTA
CORPORATION

907-88C
Component Forming
"Stress Relief Bender
and Cutter"