



Sanitizer & PPE Ready to Roll

Metro® Sanitizer Station

Small footprint multifunction mobile station that provides access to sanitizer and PPE.

- Convenient access to sanitizer and PPE
- Add a waste bin or store back-up supplies
- Rails can be reconfigured or used for mounting signage
- Total lock casters make the station easy to reposition and stable when in use
- Reconfigurable and can be repurposed as needs change

Nominal Dimension

Model No.	Inches (D x W x H)	Millimeters (D x W x H)
CR142454-SNST	14 x 24 x 60	356 x 610 x 1524



NSF Components and ADA Compliant

**Waste Bin, Sanitizer, and Gloves not included*

Visit www.metro.com or call 1-800-992-1776.

L11-024

© 2020 InterMetro Industries Corporation, Wilkes-Barre, PA 18705



We put space to work.

an Ali Group Company



The Spirit of Excellence



We put space to work.

Item # _____

Job _____



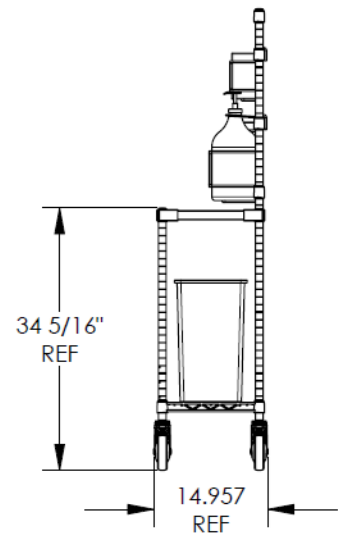
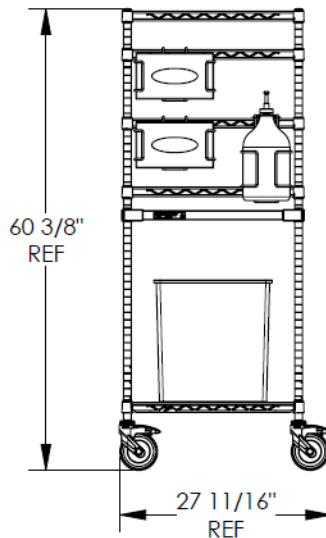
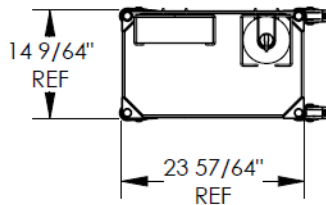
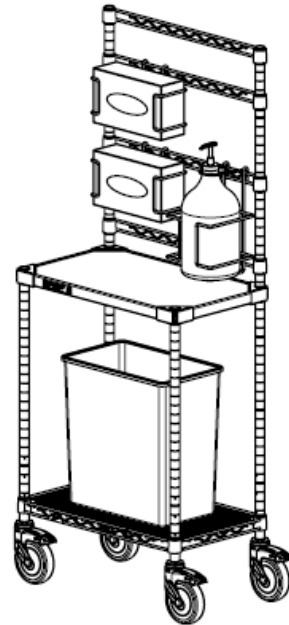
Sanitizer Station

Metro® Sanitizer Station

Comes with:

- (1) 1424FS - Stainless Steel Solid Shelf
- (1) 1424NC - Chrome Shelf
- (2) 27P - Chrome Posts
- (2) 54P - Chrome Posts
- (4) DD9299 - Chrome Hanger Rails
- (4) 5PTL-NB - Total Lock Casters
- (2) GBH4-S - Single Glove Box Holders*
- (1) SHK4-1G - 1 Gallon Sanitizer Holder*
- (1) SHK4-2L - 2 Liter Sanitizer Holder*

*Metroseal Gray with Microban®
Antimicrobial Protection



Unit Weights: 40lbs
NSF Components and ADA Compliant

All Metro Catalog Sheets are available on our website: www.metro.com



InterMetro Industries Corporation
 North Washington Street, Wilkes-Barre, PA 18705
 Product Information: U.S. and Canada: 1.800.992.1776
 Outside U.S. and Canada: www.metro.com/contactus

Information and specifications are subject to change without notice. Please confirm at time of order.

Copyright © 2020 InterMetro Industries Corp.