

PTEC™ Ionizers

AirFLEX IN4000PE Ionizer

Pin-Point, Proximity Sensing Ionization

Transforming Technologies' AirFLEX IN4000PE Ionizer with a proximity sensor that controls the power and air flow for easy hands free precision ionization. The flexible neck allows you to target the air flow directly at the intended surface for optimal static eliminating performance. Airflow is triggered when the sensor detects a nearby object so you can have hands-free ionization only when you need it. The AirFLEX ionizers are valuable because they can be mounted in hard to reach areas that larger ionizers just can not handle.

Ptec™ Focused Air Ionization

The AirFLEX ionizer has optional nozzle tip attachments, that can handle unique and difficult point-of-use ionization applications. Spread ionized air in many ways such as wide angle, manifold, long range, angled, or with a flexible extension tube.

Ptec™ Stability

The IN4000PE uses Ptec™, a specialized piezoceramic technology, to create a high frequency AC ionizing output with exceptional balance and decay performance. Ionizers that use Ptec™ technology do not require calibration and only minimal maintenance.

Applications:

The IN4000PE is designed to neutralize electrostatic charges in personal bench top environments, sensitive materials assembly, SMT, Electronics Assembly, Automotive packaging, clean room and laboratory environments.

This document is prepared for our customers as a service, and is to the best of our knowledge true and accurate. However, it is understood and agreed by the users of this document that we will accept no liability for the conclusions reached. Users of this document may therefore wish to perform additional testing before determining that products mentioned are suitable.

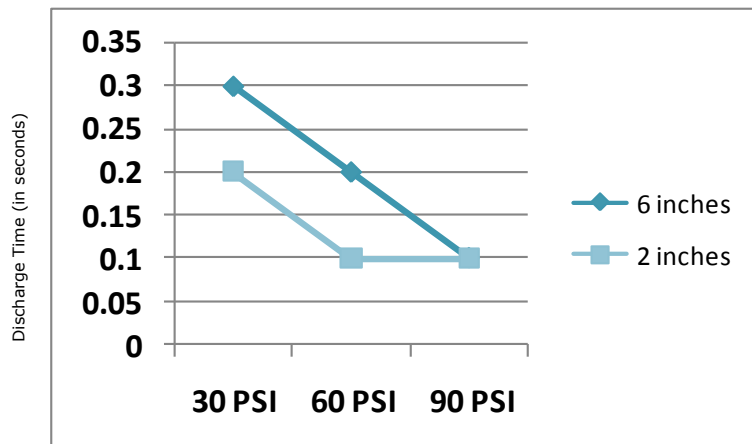


Features

- Flexible Neck for Precision Ionization
- Hands Free Operation with Proximity Sensing Photoelectric Eye
- Inherently Stable Ptec™ Technology
- Dense Output of High Frequency AC (68KHz) Ion Emission
- Multiple Nozzle Options For Unique and Difficult Applications

PTEC™ AirFLEX IN4000PE

Ionization Performance



Offset voltage and discharge time per ANSI/ESD STM3.1 using a charged plate monitor with a 20pF, 6" x 6" plate. 1000 to 100 volts. Typical results.



Ionizing nozzles can handle unique and difficult point-of-use ionization applications with interchangeable nozzle tips. Choose manifold, wide angle, flexible extension tube and bendable nozzles.



The replaceable 0.01 Micron Filter available for the IN4000PE assures a clean flow of ionized air

Model IN4000PE

Power Input

Power Outlet

Ion Emission

Balance

Decay Time

Temperature

Humidity

Air Pressure

Indicators

Controls

Mounting

Emitter Points

Dimensions

Filter Option

*Note: Unit also may be operated without filter.

Weight

Gas Input & Connection

Warranty

Certifications

Specifications

AC 100V~240V, 50/60Hz

un-fused, 0.5A or 1.0A max.

AC, 68KHz

±30 volts

1000V—100V, < 2 seconds @12"

66-78°F (19-25°C)

20-60% RH (non-condensing)

10—100 PSI, CDA or N₂

Power: Green LED, Alarm: Red

Photoelectric Eye

Distance: >35cm

Table Mount

Tungsten Alloy

12"H x 5.75"W x 7.25"D,

.01 micron filter (replaceable)*

2.8 lbs (1.27kg) including stand

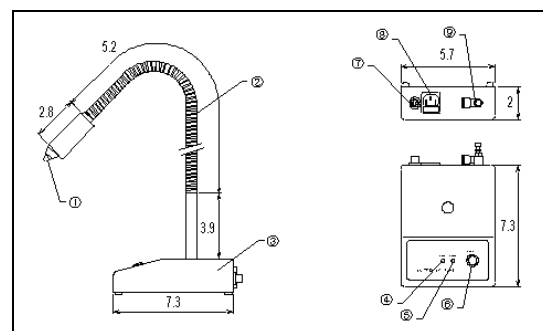
20—75 psi, CDA or N₂, 1/4" male

industrial interchange quick

disconnect or 1/4" quick release

tube fitting

1-year limited warranty



About Transforming Technologies

Since 1998, Transforming Technologies has helped electronic manufacturing facilities to protect their products and processes from the many serious problems associated with static electricity.

Transforming Technologies offers a wide range of unique and outstanding products to detect, protect, eliminate and monitor electrostatic charges. Our products are integral components of an effective static control program.