



Cleanroom and ESD

LAB AND TECHNICAL SEATING

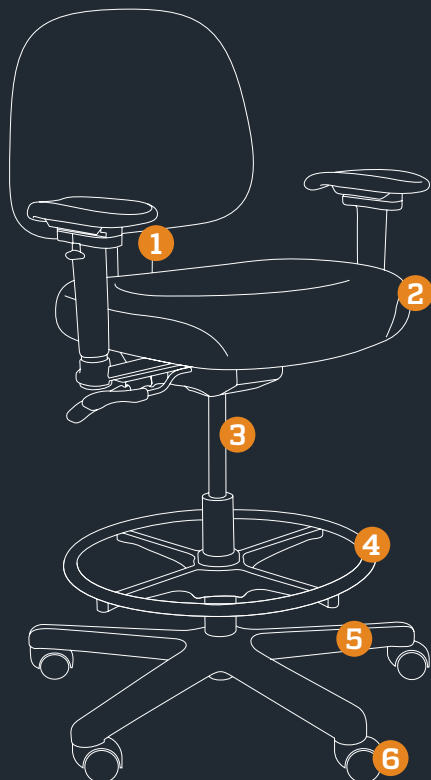
Whether in a small work station or a large manufacturing area, Cramer ESD seating keeps workers and materials grounded. Our industry-leading warranties ensure ESD performance 24 hours a day, 7 days a week for years to come.

ESD

ESD chairs are specifically designed to meet the ESD Association standard test method for the Protection of Electrostatic Discharge Susceptible Items - Seating Restive Measurement standard ESD STM12.1-2013.

Each chair is assembled with ESD-approved parts, including a chrome cylinder, polished aluminum base, chrome footring, arms made with conductive polyurethane arm pads, and steel parts coated with conductive paint. A range of conductive casters eliminate the need for cumbersome drag chains.

A metallic ESD mesh is added between the cushion and fabric, permitting contact with both front and back surfaces to ensure continuity of the circuitry. Cramer tests every chair individually for ESD compliance prior to shipment. The chair frame, from back to base, is electrically conductive to ensure static charges will be dissipated in a controlled manner through the upholstery and the chair frame to the floor.



- 1 *Conductive tints on all painted parts*
- 2 *Mesh between fabric and foam*
- 3 *Chrome cylinder*
- 4 *ESD footring and arms*
- 5 *Polished aluminum base*
- 6 *Conductive casters*

In a workplace with cleanroom requirements, keeping contaminants out is job one. At Cramer, our cleanroom seating meets all industry specifications while providing unmatched durability and comfort.

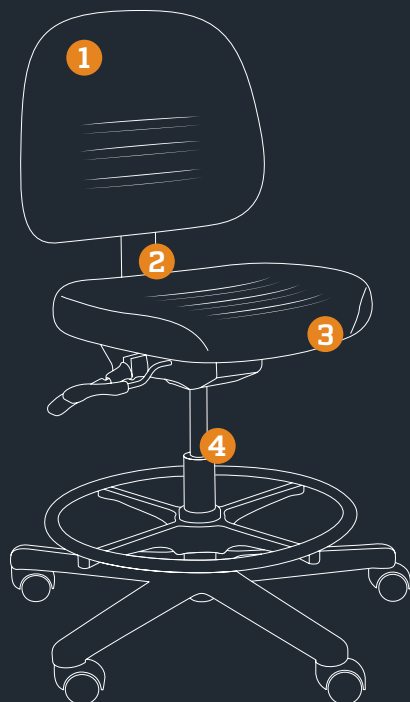
CLEANROOM

Cramer seating is a mainstay in the pharmaceutical, electrical, and semiconductor industries. Our exacting standards and rigorous testing make Cramer a clear choice for intensive use seating in the cleanroom.

Cramer cleanroom chairs are designed for minimal particulate contribution as certified by tests conducted in accordance with ISO 14644-2-2015.

Pneumatic cylinders are sealed and contamination-free. Upholstered cushions are sealed with vinyl or patented R+ covers. Both seamed and seamless covers prevent outgassing of particulates above .5-micron size. Cramer offers cleanroom seating products manufactured to meet ISO 14644, Class 3, Class 4, and Class 5 standards.

Components, such as upholstered seats and backs, are protected in sealed plastic from contamination during shipment. Cleanroom chairs are labeled with instructions for unpacking in a cleanroom prep area.



- 1** Seamed covers have flat seams with internal .5-micron nylon reinforced tape and are double stitched with multifilament nylon thread
- 2** Powder-coated metal components
- 3** Variety of vinyl or patented R+ covers available
- 4** Sealed, contamination-free pneumatic cylinder

AVAILABLE OPTIONS INCLUDE

Pressure fit footring, R+ Technology, Foot-activated height adjustment, Desk-to-Counter cylinder, adjustable arms



DESIGN AND PERFORMANCE

THAT'S THE CRAMER DIFFERENCE.

Our cleanroom/ESD chairs and stools are as meticulously engineered as any piece of scientific equipment. They perform with exceptional durability and comfort. They also meet all necessary ESD and cleanroom requirements, are specifically designed for demanding environments, and are backed by the best warranty in the category.

CLEANROOM CLASS 3 AND CLEANROOM CLASS 4

Rhino Basic™ Series

CLEANROOM CLASS 5

Fusion® Series | Triton® Series | Rhino Basic™ Series

CLEANROOM AND ESD

Fusion® Series | Triton® Series | Rhino Basic™ Chair

ISO VERSUS FED STD.

Class 3	Class 1	Class 5	Class 100
Class 4	Class 10		