



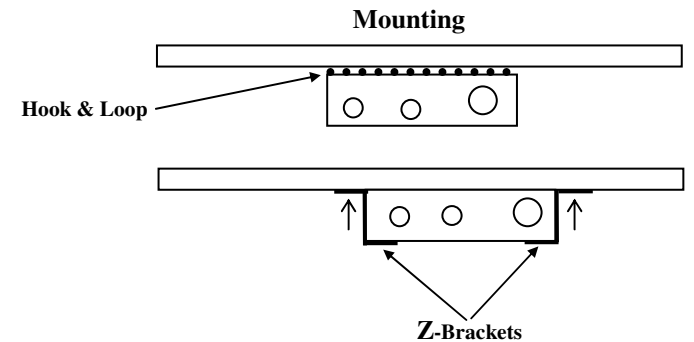
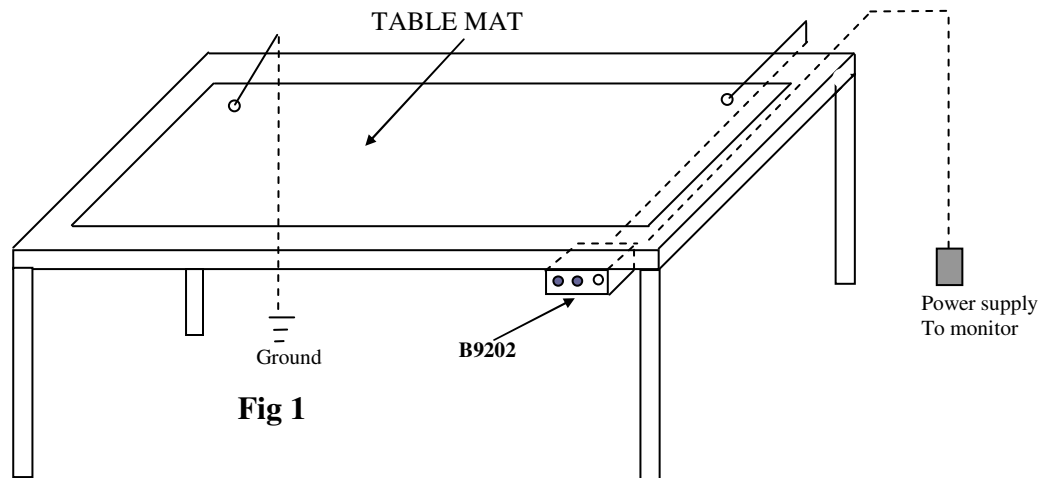
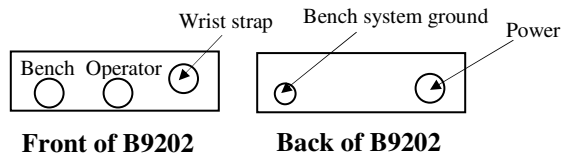
BOTRON CO. INC.

325 W. MELINDA LN Phoenix, AZ 85027

PHONE 623-582-6700 FAX 623-582-6776

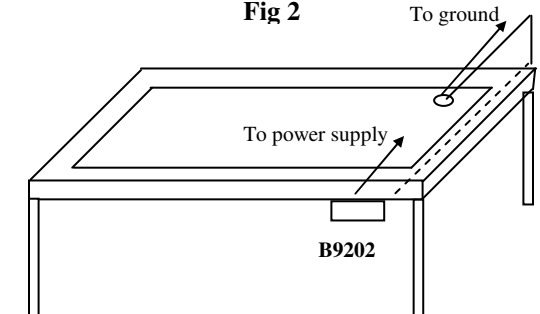
e-mail sales@botron.com www.botron.com

STATIC SOLUTIONS WITH SAVING



Installation if mat is over 7 meg

Fig 2



INSTALLATION: Mat is less than 7 meg (Fig 1)

1. Mount monitor under bench area. (use Velcro or optional (Z) brackets)
2. Connect ground cord (B9701) to back left snap on mat and to ground.(can reverse for left install)
3. From monitor connect to back right snap.
4. Plug AC power supply to monitor and grounded 110v outlet
5. Operator LED should be Red and alarm will sound 4-6 beeps
6. With wrist strap worn plug into monitor, LED will go from Red to Green

If mat exceeds 7 meg connect per Fig 2.

(your mat ground will still be monitored)

Note: This monitor system needs two snaps on mat and grounding hardware, per Fig 1

B6100, B6200, B6400 & B6600 series use **Fig 1**.
B4100, B4600, B5100 & B7100 series need to be installed per **Fig 2**.

OPTIONAL PRODUCTS NEEDED

B9701 Molded 10' ground to ring
B9881 Snap adapter mat to ring
B9202BKT Mounting bracket

B9202 Installation