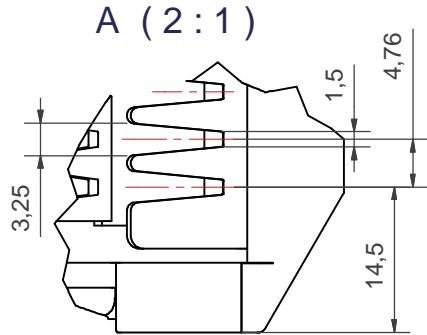
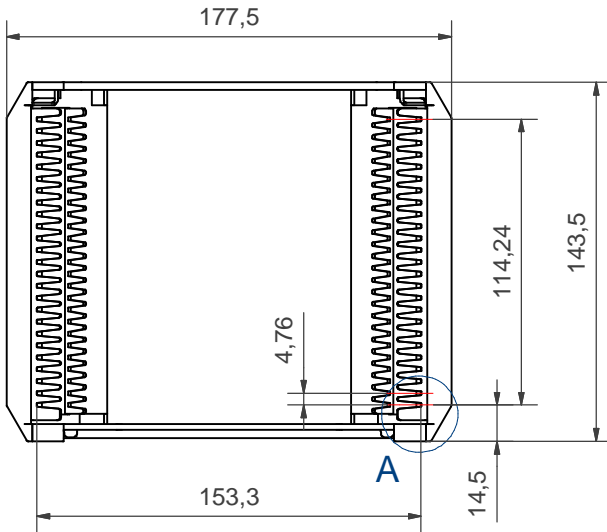
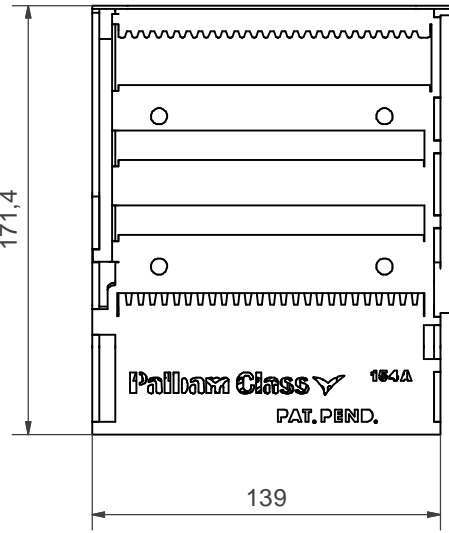
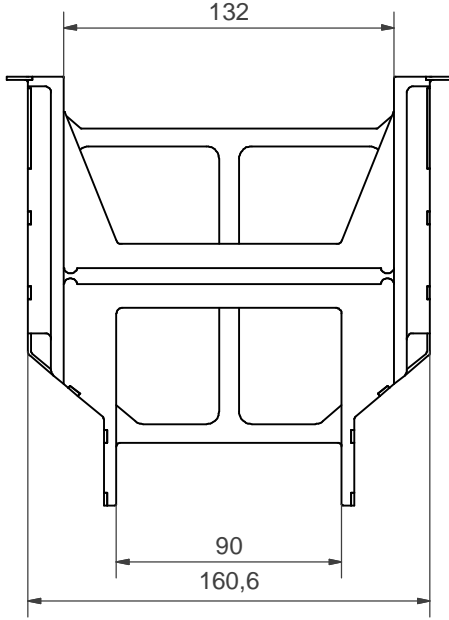


Fabrication material: stainless steel 316L



Estimation total weight <b>860g</b>	VARIATION IN DIMENSIONS WITHOUT TOLERANCE IND. DIN 7168		<b>PalbamClass</b> EN HAROD IHUD	EUROPE PROJ
	BREAK EDGES	STATUS		
ALL RIGHTS STRICTLY RESERVED. REPRODUCTION OR ISSUE TO THIRD PARTY IN ANY FORM WHATEVER IS NOT PERMITTED UNLESS AUTHORIZED IN WRITING BY THE PROPRIETOR PalbamClass IL-18960 EN-HAROD IHUD-ISRAEL.	0,3x45	MEDIUM	SST cassette for 6" wafers	REV <b>A</b>
	INNER RADIUS	SURF. ROUGH. PER ISO 1302		SCALE
	DATE	NAME	DWG. No. <b>PCPC0154-000</b>	SIZE <b>A3</b>
	DESG	21.06.06 Alexey		SHEET <b>1 / 1</b>
APPR				

CONTROLLED COPIES OF THIS DOCUMENT HAVE A RED ISSUE DATE STAMP, THESE COPIES WILL BE UPDATED BY PALBAM CLASS INFORMATION SYSTEM. ANY OTHER COPY IS NOT CONTROLLED AND THEREFORE NOT UPDATED. PLEASE CHECK WITH INFORMATION SYSTEM FOR VALIDITY OF DOCUMENT.